

MICRO SWITCH

FREEPORT ILLINOIS U S A
A DIVISION OF HONEYWELL
FED MFG. CODE 91929

SWITCH - TOGGLE

CATALOG LISTING
1TL91 SERIES
CHART 1

CATALOG LISTING

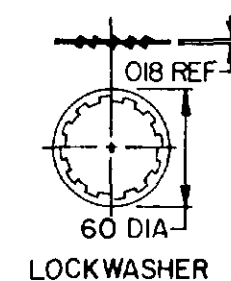
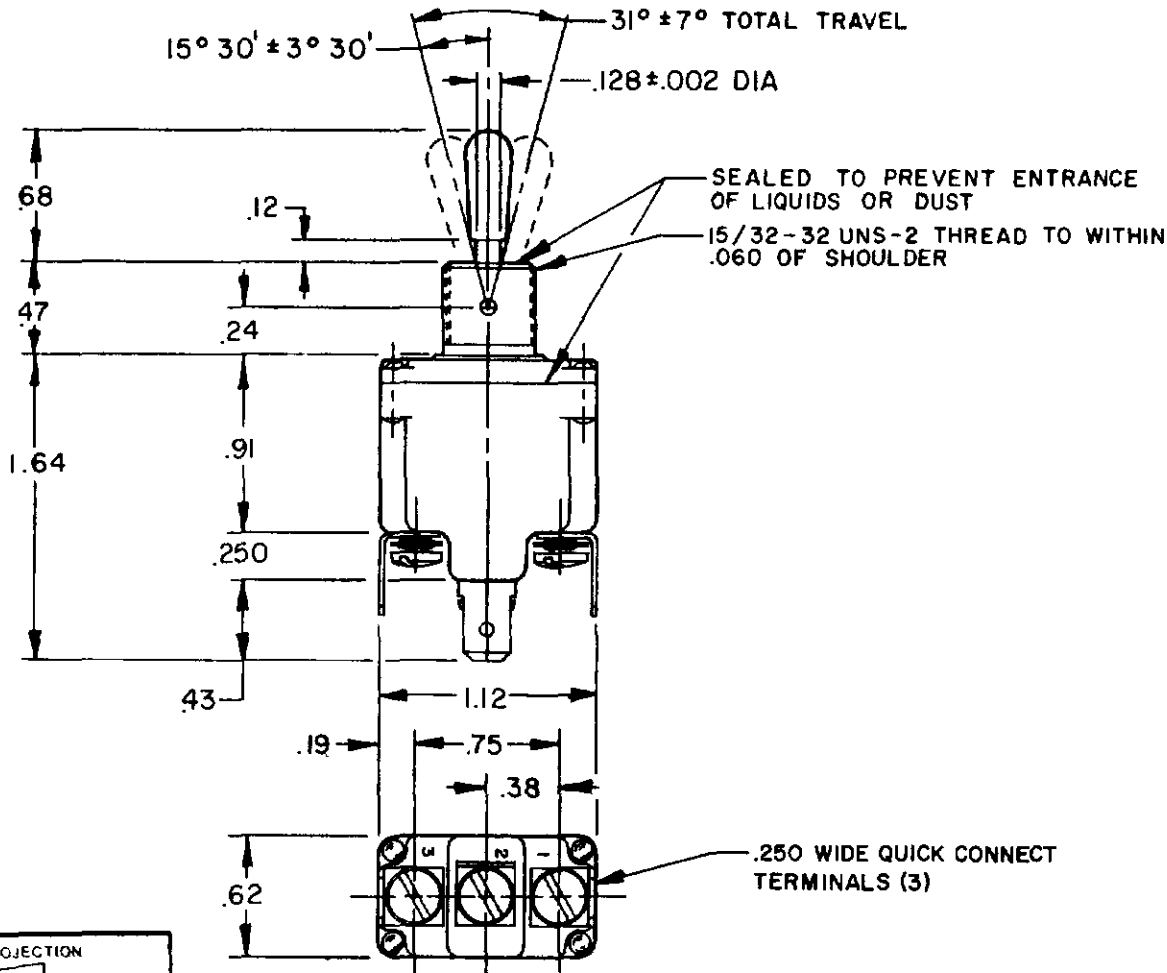
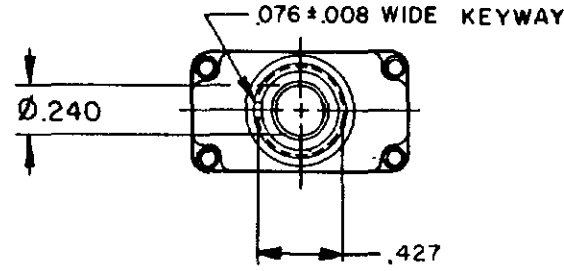
5 WITH TOGGLE LEVER IN

KEYWAY SIDE (1-2)	CENTER (1-2)	OPPOSITE KEYWAY (2-3)
ON	OFF	ON
OFF	NONE	ON
ON	NONE	ON
NONE	OFF	ON
NONE	ON	ON
MOM OFF	NONE	ON
MOM ON	OFF	ON
ⓑ	MOM ON	NONE
OFF	MOM ON	OFF
MOM ON	OFF	MOM ON
MOM ON	NONE	ON
NONE	ON	MOM ON
MOM ON	OFF	NONE

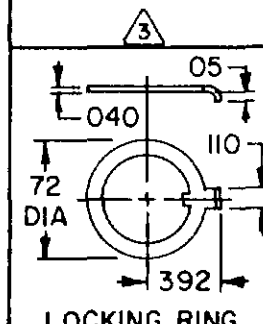
MILITARY RATING (AMPS)

RESISTIVE LOAD					LAMP LOAD		INDUCTIVE LOAD	
DC VOLTS	AC VOLTS				28 VDC	125 VAC	28 VDC	125 VAC
28	125	250	125	250	28	125	28	125

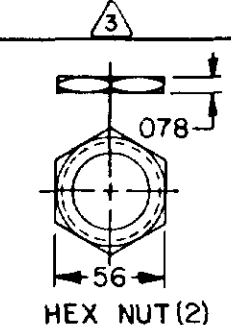
THIS DRAWING COVERS A PROPRIETARY ITEM AND IS THE PROPERTY OF MICRO SWITCH, A DIVISION OF HONEYWELL. THIS DRAWING IS NOT TO BE COPIED OR USED WITHOUT THE APPROVAL OF MICRO SWITCH.



LOCKWASHER



LOCKING RING



HEX NUT (2)

NOTES

- 1 - SWITCHES ARE CAPABLE OF WITHSTANDING A TEMPERATURE OF 160° F CONTINUOUSLY AT FULL RATED LOAD
- 2 - CIRCUIT DESIGNATION AND MICRO SWITCH CATALOG LISTING MARKED ON SIDE OF SWITCH
- ⓐ FURNISHED UNASSEMBLED
- 4 - FOR TERMINAL COVER SEE MICRO SWITCH CATALOG LISTING 5PA7
- ⓑ APPLIES ONLY TO "ON" AND "MOMENTARY ON" POSITIONS

CATALOG LISTING
1TL91 SERIES CHART 1
PAGE 1 OF 1

ISSUE
M
13

REVISIONS

A	CO77942	J A F	28 JUN 94
B	CO-95307	C S L	18 NOV 99
C	CO-94432	C S L	23 NOV 99
D	200235	J A A	18 APR 00

RELEASE NO PR-4116 REPLACES CHECK CHECK CHECK CHECK

THIRD ANGLE PROJECTION

SCALE FULL

DO NOT SCALE PRINT

TOLERANCES

APPLY TO DESIGN UNITS CONVERSIONS ARE ONLY FOR REFERENCE UNLESS NOTED TOLERANCES ARE 2

DIM	TOL	DIM	TOL
mm	mm/in	in	mm/in
NO PLACES	X	1/DA	0.8/03
ONE PLACE	X, X	0.1/018	X X 0.38/015
TWO PLACES	X XX	0.15/008	X XX 0.15/008
THREE PLACES	X XXX		

DESIGN UNITS SI METRIC US CUSTOMARY

RAW MATERIAL - COMMERCIAL STANDARD MICRO SWITCH STANDARDS APPLY DIMENSIONS ARE TO BE MET BEFORE PROTECTIVE COATINGS ARE APPLIED

WEIGHT 08 LBS APPROX

15A-125,250 OR 277VAC 1/2HP-125VAC; 1HP-250, 277VAC 5A-125VAC "L" CODE L191	10A-125,250 OR 277VAC 1/4HP-125VAC; 1/2HP-250, 277VAC 3A-125VAC "L" CODE L192
---	---

FORMTEK

DRAWN JAF 28 JUN 94