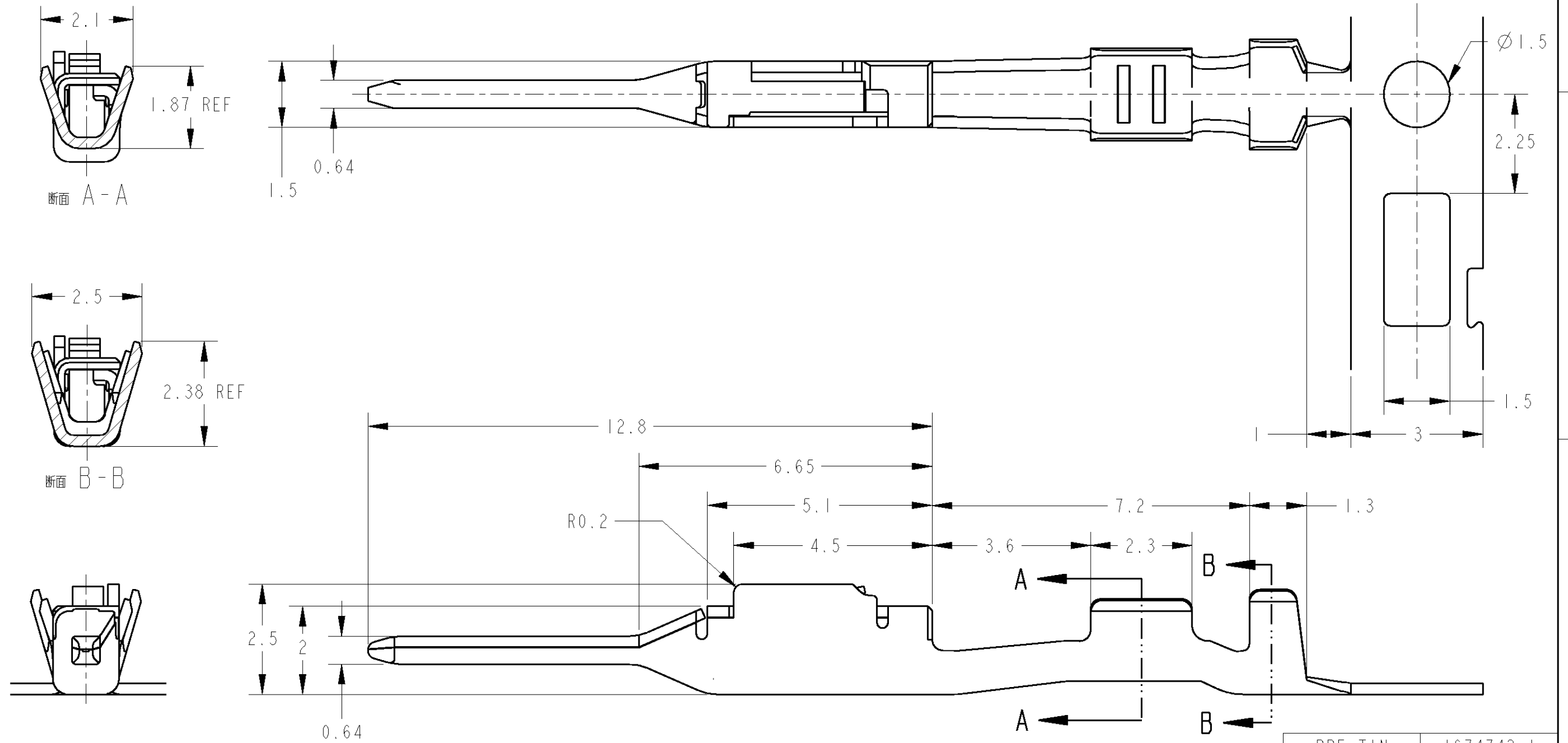


THIS DRAWING IS UNPUBLISHED. RELEASED FOR PUBLICATION 20
 © COPYRIGHT 20 BY TYCO ELECTRONICS CORPORATION. ALL RIGHTS RESERVED.

LOC	DIST	REVISIONS					
J	-	P	LTR	DESCRIPTION	DATE	DWN	APVD
		0		RELEASED FJA0-0379-03	19JUN2003	S.F	K.S
		01		REVISED ECR-07-021057	19SEP2007	Y.N	Y.F



- 1. 適用電線; AVSS, CAVS, CAVUS, AVSSH-f 0.3~0.5mm²
- 2. アプリケータ送りピッチ; 7.5mm
- 1. APPLICABLE WIRE RANGE;
AVSS, CAVS, CAVUS, AVSSH-f 0.3~0.5mm²
- 2. APPLICATOR FEED; 7.5mm

THIS DRAWING IS A CONTROLLED DOCUMENT FOR TYCO ELECTRONICS CORPORATION
 IT IS SUBJECT TO CHANGE AND THE CONTROLLING ENGINEERING ORGANIZATION
 SHOULD BE CONTACTED FOR THE LATEST REVISION.

DIMENSIONS: 単位: 概 mm	TOLERANCES UNLESS OTHERWISE SPECIFIED: 一般公差 ±0.3 0-PLC ± 1-PLC ±0.5 2-PLC ±0.13 3-PLC ±0.013 4-PLC ±0.001 ANGLES ±3'00"
MATERIAL 材料 COPPER Alloy	FINISH 仕上 SEE TABLE

DWN S. FURUYA 19-JUN-03	CHK T. KOHNO 19-JUN-03	APVD K. SHIMIZU 19-JUN-03
PRODUCT SPEC 製品規格		
APPLICATION SPEC 取付適用規格		
114-5340		
WEIGHT 0.2g	CUSTOMER DRAWING	

PRE-TIN FINISH	1674742-1 AMP PART NO.
WIRE RANGE 包合電線断面積 0.37~0.56mm ²	INSULATION DIA 被覆外径 φ1.1~1.7
Tyco Electronics Tyco Electronics Corporation Kawasaki, Japan	
NAME 名称 025 TH TAB CONTACT	
SIZE A3	CAGE CODE 00779
DRAWING NO 番号 1674742	RESTRICTED TO -
SCALE 尺度 10:1	SHEET 1 OF 1
REV 01	