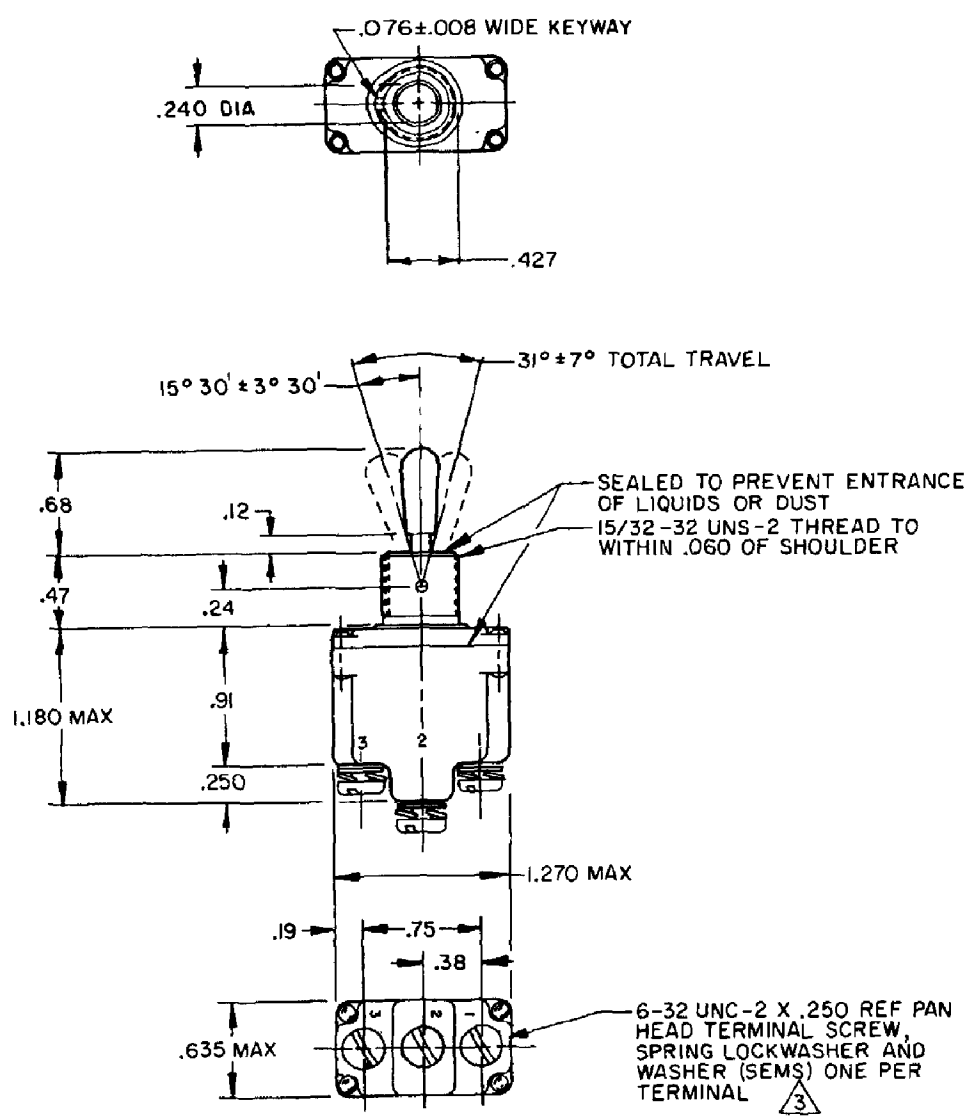
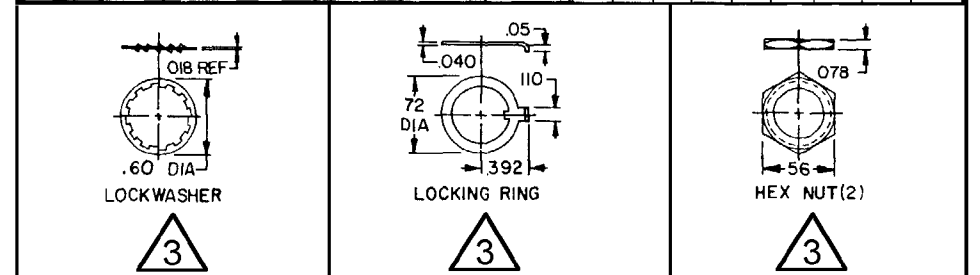


HONEYWELL
PART NUMBER
1TL11_SERIES.CHART 1

REV	DOCUMENT	CHANGED BY	CHECK
20	0008574	KR 20OCT04	AK
21	0012945	DS	PH



FAA-PMA LISTINGS 6/7	CATALOG LISTING	CIRCUIT MADE WITH TOGGLE LEVER IN			CURRENT CAPACITY (AMPS)									
		KEYWAY SIDE (1-2)	CENTR (1-2)	OPPOSITE KEYWAY (2-3)	RESISTIVE LOAD				LAMP LOAD					
					DC VOLTS	AC VOLTS	250	250	250	250	250	250		
	ITL11-1	ON	OFF	ON										
	ITL11-2	OFF	NONE	ON										
FAA-PMA	ITL11-3	ON	NONE	ON	20	75	.5	15	6	5	3	15	10	
	ITL11-21	NONE	OFF	ON										
	ITL11-31	NONE	ON	ON										
	ITL11-4	MOM OFF	NONE	ON										
	ITL11-5	MOM ON	OFF	ON										
	ITL11-6	MOM ON	NONE	OFF										
	ITL11-7	MOM ON	OFF	MOM ON	15	75	.5	15	6	4	2	10	7	
	ITL11-8	MOM ON	NONE	ON										
	⊙	NONE	ON	MOM ON										
	ITL11-82	ON	NONE	MOM ON										



- NOTES**
- SWITCHES ARE CAPABLE OF WITHSTANDING A TEMPERATURE OF 160°F CONTINUOUSLY AT FULL RATED LOAD
 - POLE, CIRCUIT DESIGNATION AND MICRO SWITCH CATALOG LISTING MARKED ON SIDE OF SWITCH
 - FURNISHED UNASSEMBLED
 - FOR TERMINAL COVER, SEE MICRO SWITCH CATALOG LISTING 5PA7
 - APPLIES ONLY TO "ON" AND "MOMENTARY ON" POSITIONS
 - FAA-PMA MUST BE MARKED ON SWITCH
 - FOR MANUFACTURING DETAIL SEE THE CORRESPONDING ASSEMBLY DRAWING FOR EACH LISTING FOR FAA-PMA
 - WEIGHT .07 LBS APPROX

DESIGN UNITS: INCH TOLERANCES UNLESS NOTED: NO PLACE X ± 0.040 ONE PLACE .X ± 0.030 TWO PLACE .XX ± 0.015 THREE PLACE .XXX ± 0.005 FOUR PLACE .XXXX ± 0.0005 ANGLES ± 3 THIRD ANGLE PROJECTION 	DRAWN	JAF	29JUN94	Honeywell				
	CHECK	-	-				SWITCH - TOGGLE	
	THIS DRAWING COVERS A PROPRIETARY ITEM AND IS THE PROPERTY OF HONEYWELL. THIS DRAWING IS NOT TO BE COPIED OR USED WITHOUT THE PERMISSION OF HONEYWELL.				SIZE	TYPE		
	INTERPRET PER ASME Y14.5M-1994 OTHER HONEYWELL ENGINEERING STANDARDS MAY APPLY				B	I	1TL11_SERIES.CHART 1	21
RASTER				SCALE	1:1	SHEET	1 OF 1	