

**MICRO SWITCH**  
 FREEPORT ILLINOIS U S A  
 A DIVISION OF HONEYWELL  
 FED. MFG. CODE 91929

**SWITCH - TOGGLE**

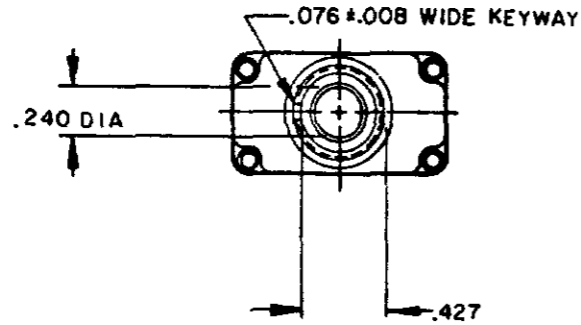
CATALOG LISTING  
**1TL5 SERIES**  
**CHART 1**

CATALOG LISTING

KEYWAY SIDE (1-2)	CIRCUIT MADE WITH TOGGLE LEVER IN	
	CENTER (1-2)	OPPOSITE KEYWAY (2-3)

ELECTRICAL RATING

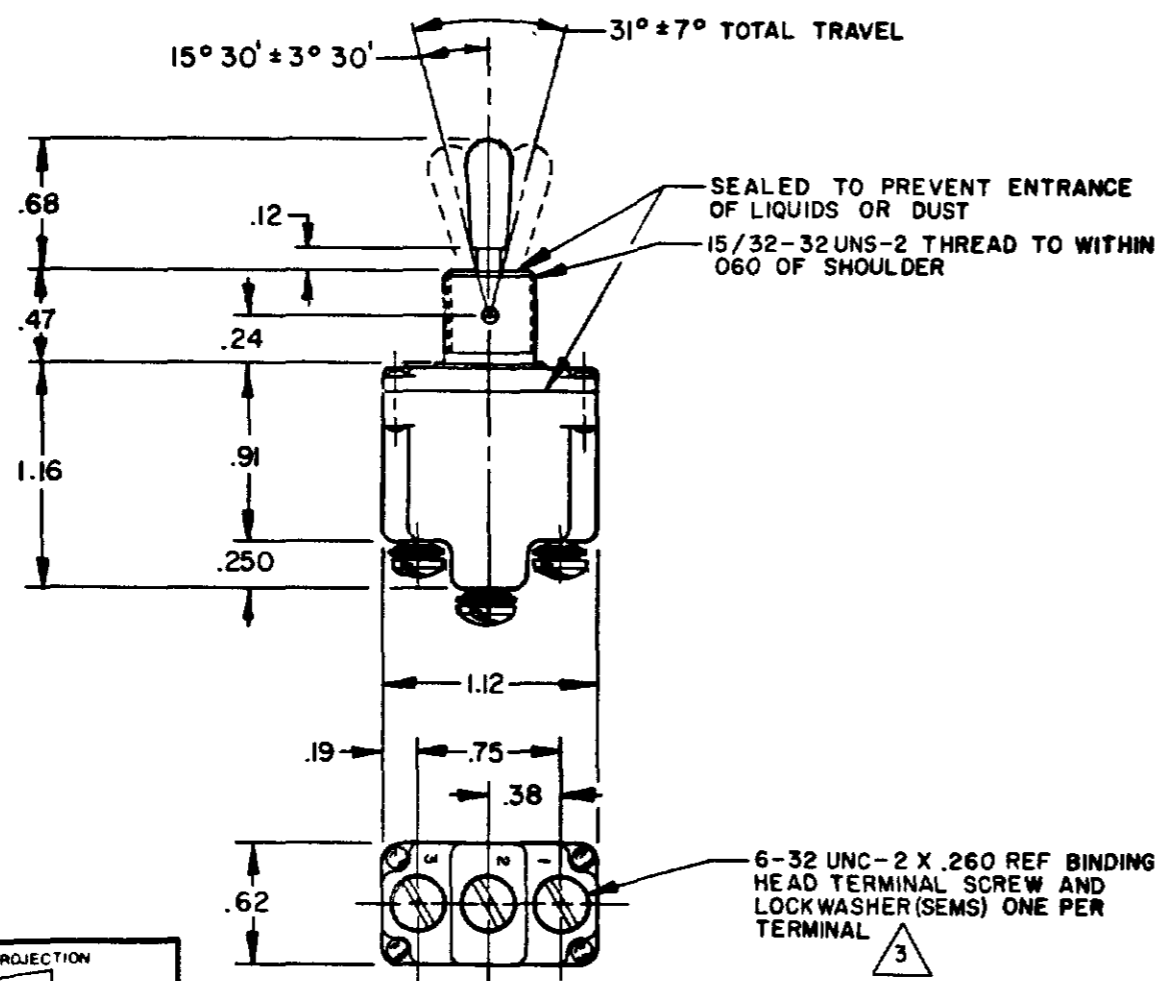
THIS DRAWING COVERS A PROPRIETARY ITEM AND IS THE PROPERTY OF MICRO SWITCH, A DIVISION OF HONEYWELL. THIS DRAWING IS NOT TO BE COPIED OR USED WITHOUT THE APPROVAL OF MICRO SWITCH.



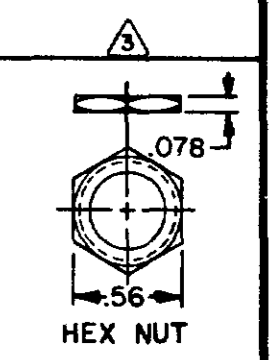
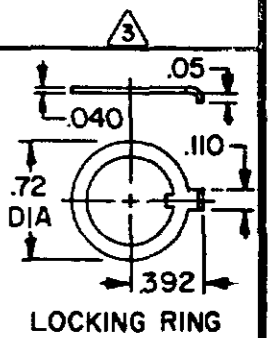
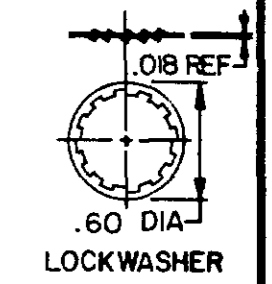
1TL5-1	ON	OFF	ON
1TL5-2	OFF	NONE	ON
1TL5-3	ON	NONE	ON
1TL5-21	NONE	OFF	ON
1TL5-31	NONE	ON	ON
(B)	MOM OFF	NONE	ON
(B)	MOM ON	OFF	ON
1TL5-6	MOM ON	NONE	OFF
1TL5-7	MOM ON	OFF	MOM ON
1TL5-8	MOM ON	NONE	ON
1TL5-51	NONE	ON	MOM ON
1TL5-61	MOM ON	OFF	NONE

15A-125,250 OR 277VAC  
 1/2HP-125VAC; 1HP-250,277VAC  
 5A-125VAC "L" CODE L191

10A-125,250,277VAC  
 1/4-125VAC; 1/2HP-250,277VAC  
 3A-125VAC "L" L192



6-32 UNC-2 X .260 REF BINDING HEAD TERMINAL SCREW AND LOCKWASHER (SEMS) ONE PER TERMINAL



**NOTES**

- SWITCHES ARE CAPABLE OF WITHSTANDING A TEMPERATURE OF 160°F CONTINUOUSLY AT FULL RATED LOAD
- CIRCUIT DESIGNATION AND MICRO SWITCH CATALOG LISTING, MARKED ON SIDE OF SWITCH
- FURNISHED UNASSEMBLED
- FOR TERMINAL COVER, SEE MICRO SWITCH CATALOG LISTING 5PA7
- APPLIES ONLY TO "ON" AND "MOMENTARY ON" POSITIONS
- BRIGHT FINISH TOGGLE LEVER AND MOUNTING NUTS

CATALOG LISTING 1TL5 SERIES CHART 1  
 PAGE 1 OF 1  
 ISSUE 14  
 REVISIONS:  
 A C077942 JAF 28 JUN 94  
 B C095307 C.S.L. 18 NOV 99  
 C C094431 C.S.L. 24 NOV 99  
 DRAWN JAF 28 JUN 94  
 CHECK JAF 28 JUN 94  
 REPLACES PR-2142  
 FORMTEK

THIRD ANGLE PROJECTION

SCALE FULL

DO NOT SCALE PRINT

TOLERANCES  
 APPLY TO DESIGN UNLESS OTHERWISE NOTED. TOLERANCES ARE IN INCHES UNLESS NOTED OTHERWISE.

PLACES	DI	TOL	DI	TOL
	IN	MM	IN	MM
NO PLACES	X	1/64	X	0.125
ONE PLACE	X	0.0015	X	0.025
TWO PLACES	X, XX	0.0005	X, XX	0.005
THREE PLACES	X, XX, XXX	0.0001	X, XX, XXX	0.001

DESIGN UNITS:  SI METRIC  US CUSTOMARY

RAW MATERIAL - COMMERCIAL STANDARD  
 MICRO SWITCH STANDARDS APPLY  
 DIMENSIONS ARE TO BE MET BEFORE PROTECTIVE COATINGS ARE APPLIED

WEIGHT