

MICRO SWITCH

A DIVISION OF MINNEAPOLIS-HONEYWELL REGULATOR COMPANY
PROSPERITY, ILLINOIS
FED. MFR. CODE 91929

ASSEMBLY- TOGGLE SWITCH

CATALOG LISTING
115 AT 2

M

115AT2

M

DRAWING NUMBER

7

ISSUE

8

REVISIONS

A	PR-5681
K	S W
3	MAR 76
B	CO74181
	TSM
24	JAN 94

FO-80378-003

DRAWN

K S W 3 MARCH 76

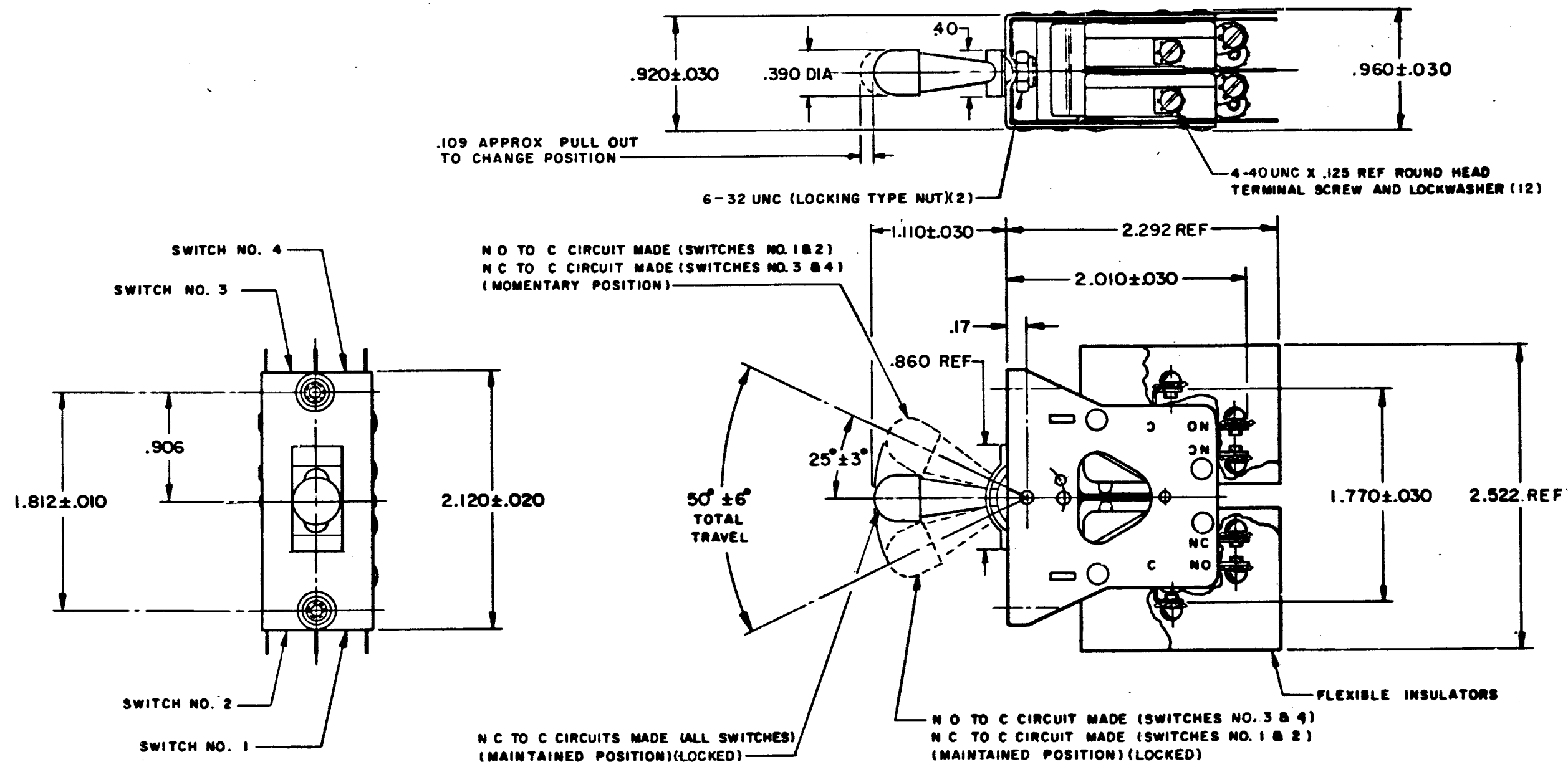
CHECK

C E B 4 MARCH 76

CHECK

RELEASE NO. PR-5681

REPLACES



THIS DRAWING COVERS A PROPRIETARY ITEM AND IS THE PROPERTY OF MICRO SWITCH, A DIVISION OF MINNEAPOLIS-HONEYWELL REGULATOR CO. THIS DRAWING IS NOT TO BE COPIED OR USED WITHOUT THE APPROVAL OF MICRO SWITCH.

CHARACTERISTICS	ELECTRICAL DATA	SCALE FULL
	CONTACT ARRANGEMENT S P D T (4)	DO NOT SCALE PRINT
	15 A-1/3 HP-125 OR 250 VAC 1/2 A-125 VDC; 1/4 A-250 VDC	UNLESS OTHERWISE SPECIFIED DIMENSIONS ARE IN INCHES
		TOLERANCES ARE:
		ONE PLACE (.5) 2.000
		TWO PLACE (.00) 2.010
		THREE PLACE (.000) 2.000
		ANGLES 2
		WEIGHT

NOTE:

1- UNIT INCLUDES CAT. LIST. V3-201 (4) BASIC SWITCH

2- SWITCHES DO NOT NECESSARILY OPERATE SIMULTANEOUSLY