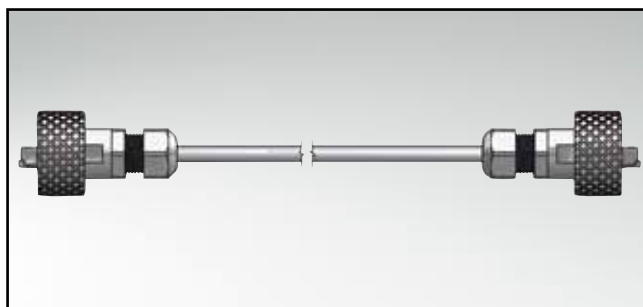


RJ45 PATCH CORD

IP67 to IP67 – Metal design – M28 plug connector screw termination

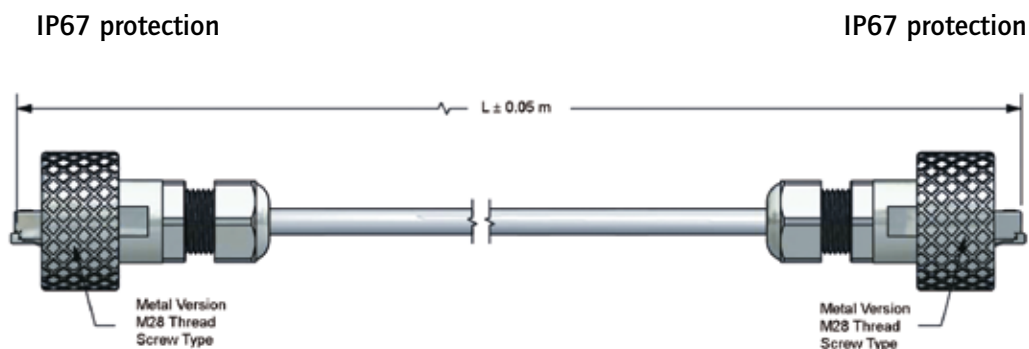


RoHS compliant

DESCRIPTION

- Field attachable patch cable
- 2 x Metal Industrial RJ45-IP67
- Designs:
 - Metal socket coupling ring Metal, M28 thread; Housing Metallized plastic; Cable UTP* black
 - Metal socket coupling ring Metal, M28 thread; Housing Metallized plastic; Cable STP** black
- Outdoor version with cable "Drain wire" and "Waterproof tape"
- Special lengths on request

PRODUCT DRAWING



UTP= * unshielded twisted pair
STP= ** shielded twisted pair

ORDER DATA

Type Standard	Degree of protection	Material	Cable	Length (L)	Part Number
Patch cord	IP67/IP67	M28 Metal plug coupling ring/Housing metallized plastic	STP/Shielded	2 m	17-100994
Patch cord	IP67/IP67	M28 Metal plug coupling ring/Housing metallized plastic	STP/Shielded	4 m	17-101004
Patch cord	IP67/IP67	M28 Metal plug coupling ring/Housing metallized plastic	STP/Shielded	5 m	17-101014

Type Outdoor	Degree of protection	Material	Cable	Length (L)	Part Number
Patch cord	IP67/IP67	M28 Metal plug coupling ring/Housing metallized plastic	UTP/Unshielded	2 m	17-101084
Patch cord	IP67/IP67	M28 Metal plug coupling ring/Housing metallized plastic	UTP/Unshielded	4 m	17-101094
Patch cord	IP67/IP67	M28 Metal plug coupling ring/Housing metallized plastic	UTP/Unshielded	5 m	17-101104
Patch cord	IP67/IP67	M28 Metal plug coupling ring/Housing metallized plastic	STP/Shielded	2 m	17-101114
Patch cord	IP67/IP67	M28 Metal plug coupling ring/Housing metallized plastic	STP/Shielded	4 m	17-101124
Patch cord	IP67/IP67	M28 Metal plug coupling ring/Housing metallized plastic	STP/Shielded	5 m	17-101134