

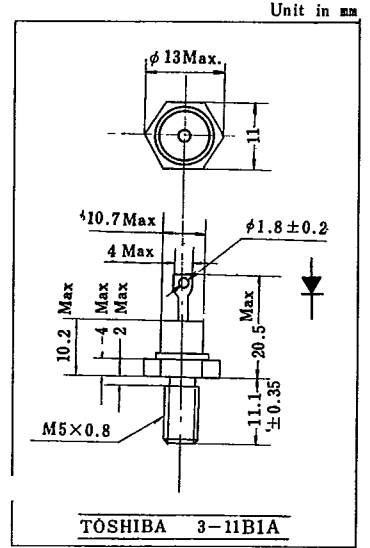
FAST RECOVERY DIODE

39 DE 9097250 0002243 0

6JG11 600V 6A

MAXIMUM RATINGS

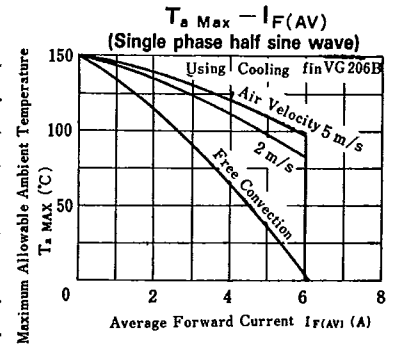
CHARACTERISTIC	SYMBOL	RATING	UNIT
Repetitive Peak Reverse Voltage	6BG11	100	V
	6DG11	200	
	6FG11	300	
	6GG11	400	
	6JG11	600	
Average Forward Current	$I_{F(AV)}$	6	A
Peak One Cycle Surge Forward Current (Non-Repetitive)	I_{FSM}	150(50Hz)	A
Junction Temperature	T_j	-40~150	°C
Storage Temperature Range	T_{stg}	-40~150	°C
Stud Torque		20	kgcm



AC23A is furnished as an accessory.

ELECTRICAL CHARACTERISTICS

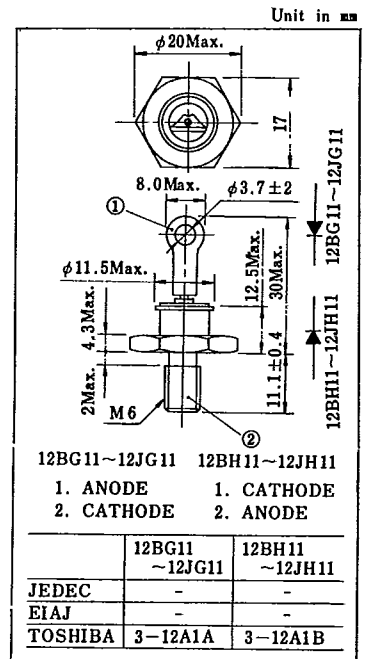
CHARACTERISTIC	SYMBOL	CONDITION	MIN.	TYP.	MAX.	UNIT
Peak Forward Voltage	V_{FM}	$I_{FM}=20A, T_a=25°C$	-	-	1.6	V
Repetitive Peak Reverse Current	I_{RRM}	$V_{RRM} = \text{Rated}, T_j=150°C$	-	-	6.0	mA
Reverse Recovery Time	$t_{rr(1)}$	$I_F=1.0A, V_R=30V, T_a=25°C$	-	-	200	ns
	$t_{rr(2)}$	$I_F=40A, \frac{dI_F}{dt}=25A/\mu s, T_a=25°C$	-	-	800	
Reverse Recovery Current	$I_{rr(1)}$	$I_F=1.0A, V_R=30V, T_a=25°C$	-	-	3	A
	$I_{rr(2)}$	$I_F=40A, \frac{dI_F}{dt}=25A/\mu s, T_a=25°C$	-	-	25	
Forward Recovery Time	t_{fr}	$I_F=1.0A, T_a=25°C$	-	-	700	ns



12JG11 600V 12A

MAXIMUM RATINGS

CHARACTERISTIC	SYMBOL	RATING	UNIT
Repetitive Peak Reverse Voltage ($T_j=150°C$)	12BG11, 12BH11	100	V
	12DG11, 12DH11	200	
	12FG11, 12FH11	300	
	12GG11, 12GH11	400	
	12JG11, 12JH11	600	
Average Forward Current	$I_{F(AV)}$	12	A
Peak One Cycle Surge Forward Current (Non-Repetitive)	I_{FSM}	150(50Hz)	A
Junction Temperature	T_j	-40~150	°C
Storage Temperature Range	T_{stg}	-40~150	°C
Stud Torque		30	kgcm



12BG11~12JG11 12BH11~12JH11
1. ANODE 1. CATHODE
2. CATHODE 2. ANODE

	12BG11 ~12JG11	12BH11 ~12JH11
JEDEC	-	-
EIAJ	-	-
TOSHIBA	3-12A1A	3-12A1B

AC34 is furnished as an accessory.

ELECTRICAL CHARACTERISTICS

CHARACTERISTIC	SYMBOL	CONDITION	MIN.	TYP.	MAX.	UNIT
Peak Forward Voltage	V_{FM}	$I_{FM}=30A, T_a=25°C$	-	-	1.6	V
Repetitive Peak Reverse Current	I_{RRM}	$V_{RRM} = \text{Rated}, T_j=150°C$	-	-	6.0	mA
Reverse Recovery Time	t_{rr}	$I_F=1.0A, V_R=30V, T_a=25°C$	-	-	200	ns
Reverse Recovery Current	I_{rr}	$I_F=1.0A, V_R=30V, T_a=25°C$	-	-	3	A
Forward Recovery Time	t_{fr}	$I_F=1.0A, T_a=25°C$	-	-	700	ns

