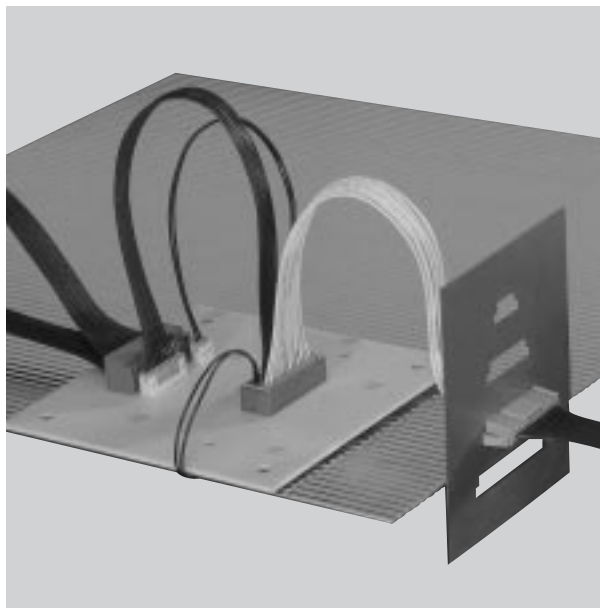


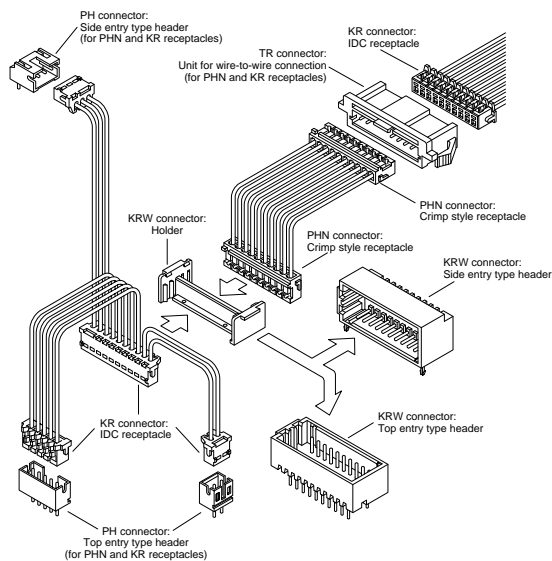
KR FAMILY SERIES/KRW•KR•PHN•TR CONNECTOR

Disconnectable Insulation displacement and Crimp style connectors



Based upon JST's field proven KR series connectors, the KR series family of connectors have been expanded to meet the requirements of high density packaging.

The KRW connector allows dual-row wire-to-board connection using either the KR or PHN connectors. Whilst the TR connector allows wire-to-wire connection, also using either the KR or PHN connectors.



Features

- **Multi-IDC-harnesses are possible**

- **Various types of connectors**

In addition to the KRW, KR, PHN and TR connectors, there are other 2.0mm(.079")pitch connectors available such as the KRD, CR, DA, DD and DS ranges.

- **Cost reduction**

By introducing the KR family series, a reduction in harness production time can be achieved through rationalization/standardization. This in turn, will therefore reduce harness costs, thus benefiting both the harness-maker and the set-maker alike.

- **Two types of circuit layouts**

The connector is available in either the normal or reverse configurations.

Specifications

Item	Series	KRW connector	TR connector
Current rating		2.0A AC, DC(AWG#24)	
Voltage rating		100V AC, DC	
Temperature rise		-40°C to +85°C(including temperature rise)	
Contact resistance		Initial value / 10mΩ max. After environmental testing / 20mΩ max.	
Insulation resistance		1,000MΩmin.	
Withstanding voltage		800V AC / minute	
Applicable connector		KR connector, CR connector, PHN connector	
Applicable PC board thickness		1.6mm(.063")	—
Applicable panel thickness		—	0.5 to 2.0mm(.020" to .079")

•Contact JST for details.

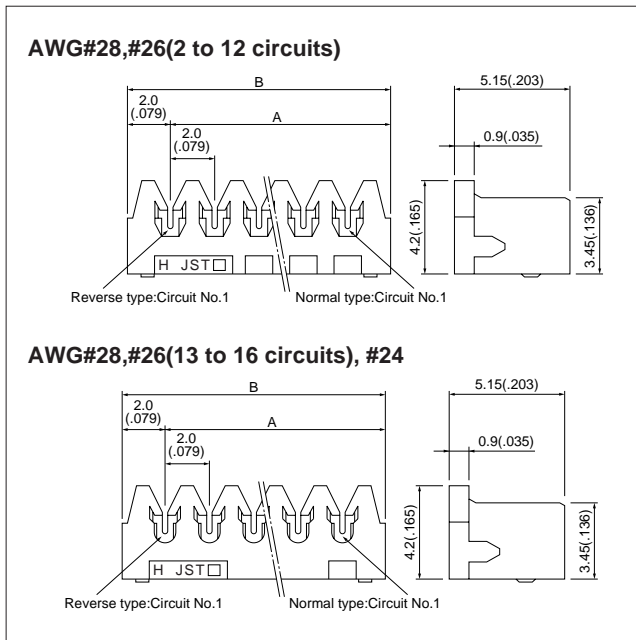
Recognized file No. E60389

Certified file No. LR20812

File No. R75088 (conforms to DIN/VDE 0627)

KR FAMILY SERIES CONNECTOR

KR connector Receptacle (IDC)



Circuits	Model No.				Dimensions mm(in.)	
	Normal type		Reverse type		A	B
	AWG#28#26	AWG#24	AWG#28#26	AWG#24		
2	02KR-6H-P	02KR-4K-P	02KR-6H-PC	02KR-4K-PC	2.0 (.079)	6.0 (.236)
3	03KR-6H-P	03KR-4K-P	03KR-6H-PC	03KR-4K-PC	4.0 (.157)	8.0 (.315)
4	04KR-6H-P	04KR-4K-P	04KR-6H-PC	04KR-4K-PC	6.0 (.236)	10.0 (.394)
5	05KR-6H-P	05KR-4K-P	05KR-6H-PC	05KR-4K-PC	8.0 (.315)	12.0 (.472)
6	06KR-6H-P	06KR-4K-P	06KR-6H-PC	06KR-4K-PC	10.0 (.394)	14.0 (.551)
7	07KR-6H-P	07KR-4K-P	07KR-6H-PC	07KR-4K-PC	12.0 (.472)	16.0 (.630)
8	08KR-6H-P	08KR-4K-P	08KR-6H-PC	08KR-4K-PC	14.0 (.551)	18.0 (.709)
9	09KR-6H-P	09KR-4K-P	09KR-6H-PC	09KR-4K-PC	16.0 (.630)	20.0 (.787)
10	10KR-6H-P	10KR-4K-P	10KR-6H-PC	10KR-4K-PC	18.0 (.709)	22.0 (.866)
11	11KR-6H-P	11KR-4K-P	11KR-6H-PC	11KR-4K-PC	20.0 (.787)	24.0 (.945)
12	12KR-6H-P	12KR-4K-P	12KR-6H-PC	12KR-4K-PC	22.0 (.866)	26.0 (1.024)
13	13KR-6H-P	-	13KR-6H-PC	-	24.0 (.945)	28.0 (1.102)
14	14KR-6H-P	-	14KR-6H-PC	-	26.0 (1.024)	30.0 (1.181)
15	15KR-6H-P	-	15KR-6H-PC	-	28.0 (1.102)	32.0 (1.260)
16	16KR-6H-P	-	16KR-6H-PC	-	30.0 (1.181)	34.0 (1.339)

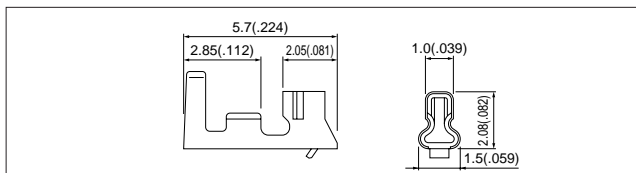
Material and Finish

Contact: Phosphor bronze, tin-plated
 Housing: AWG#28 & #26 / 2 to 12 circuits...Nylon 66, UL94V-0, gray
 13 to 16 circuits...Glass-filled nylon 66, UL94V-0, gray
 AWG#24 / Glass-filled nylon 66, UL94V-0, black

Applicable wire

UL1571, 1061 (Contact JST for other UL styles.)
 AWG#28, #26, #24
 Conductor / Tstands, tin-plated annealed copper
 Insulation O.D. / AWG#28 & #26...0.9 to 1.0mm (.035" to .039") AWG#24...1.3mm (.051") max.

PH connector Contact (Crimp style)



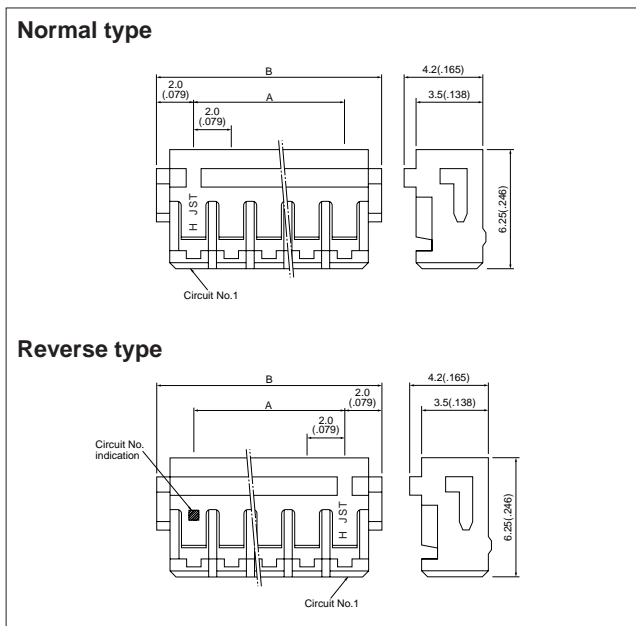
Model No.	Applicable wire		Insulation O.D. mm(in.)	Q'ty/reel
	mm ²	AWG#		
SPH-002T-P0.5L	0.08 to 0.22	28 to 24	0.8 to 1.5 (.013 to .059)	8,000

Material and Finish

Phosphor bronze, tin-plated

Note: SPH-002T-P0.5S is also available.

PHN connector Housing (Crimp style)



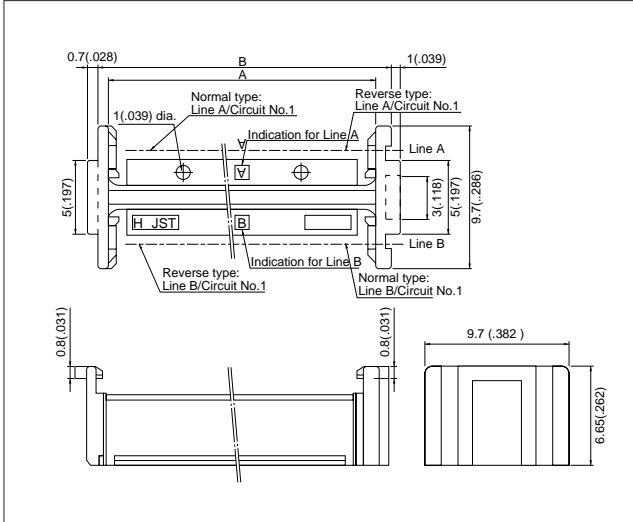
Circuits	Model No.		Dimensions mm(in.)	
	Normal type	Reverse type	A	B
2	PHNR-02-H	PHNR-02C-H	2.0 (.079)	6.0 (.236)
3	PHNR-03-H	PHNR-03C-H	4.0 (.157)	8.0 (.315)
4	PHNR-04-H	PHNR-04C-H	6.0 (.236)	10.0 (.394)
5	PHNR-05-H	PHNR-05C-H	8.0 (.315)	12.0 (.472)
6	PHNR-06-H	PHNR-06C-H	10.0 (.394)	14.0 (.551)
7	PHNR-07-H	PHNR-07C-H	12.0 (.472)	16.0 (.630)
8	PHNR-08-H	PHNR-08C-H	14.0 (.551)	18.0 (.709)
9	PHNR-09-H	PHNR-09C-H	16.0 (.630)	20.0 (.787)
10	PHNR-10-H	PHNR-10C-H	18.0 (.709)	22.0 (.866)
11	PHNR-11-H	PHNR-11C-H	20.0 (.787)	24.0 (.945)
12	PHNR-12-H	PHNR-12C-H	22.0 (.866)	26.0 (1.024)
13	PHNR-13-H	PHNR-13C-H	24.0 (.945)	28.0 (1.102)
14	PHNR-14-H	PHNR-14C-H	26.0 (1.024)	30.0 (1.181)
15	PHNR-15-H	PHNR-15C-H	28.0 (1.102)	32.0 (1.260)
16	PHNR-16-H	PHNR-16C-H	30.0 (1.181)	34.0 (1.339)

Material

Nylon 66, UL94V-0, gray

KR FAMILY SERIES CONNECTOR

KRW connector Holder

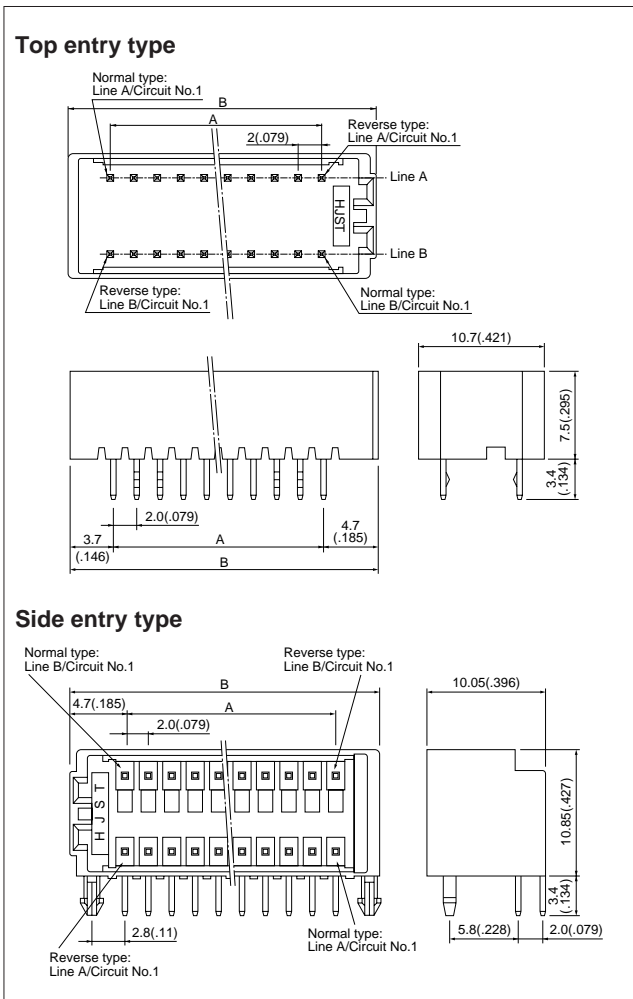


Circuits	Model No.		Dimensions mm(in.)	
	Normal type	Reverse type	A	B
16	KRWH-16-H	KRWH-16C-H	18.0(.709)	20.4(.803)
18	KRWH-18-H	KRWH-18C-H	20.0(.787)	22.4(.882)
20	KRWH-20-H	KRWH-20C-H	22.0(.866)	24.4(.961)
22	KRWH-22-H	KRWH-22C-H	24.0(.945)	26.4(1.039)
24	KRWH-24-H	KRWH-24C-H	26.0(1.024)	28.4(1.118)
26	KRWH-26-H	KRWH-26C-H	28.0(1.102)	30.4(1.197)
28	KRWH-28-H	KRWH-28C-H	30.0(1.181)	32.4(1.276)
30	KRWH-30-H	KRWH-30C-H	32.0(1.260)	34.4(1.354)
32	KRWH-32-H	KRWH-32C-H	34.0(1.339)	36.4(1.433)

Material

Nylon 66, UL94V-0, gray

KRW connector Shrouded Header



Circuits	Model No.				Dimensions mm(in.)	
	Normal type		Reverse type		A	B
	Top entry type	Side entry type	Top entry type	Side entry type		
16	B16B-KRWMK	S16B-KRWMS	B16B-KRWMK-C	S16B-KRWMS-C	14.0(.551)	22.4(.882)
18	B18B-KRWMK	S18B-KRWMS	B18B-KRWMK-C	S18B-KRWMS-C	16.0(.630)	24.4(.961)
20	B20B-KRWMK	S20B-KRWMS	B20B-KRWMK-C	S20B-KRWMS-C	18.0(.709)	26.4(1.039)
22	B22B-KRWMK	S22B-KRWMS	B22B-KRWMK-C	S22B-KRWMS-C	20.0(.787)	28.4(1.118)
24	B24B-KRWMK	S24B-KRWMS	B24B-KRWMK-C	S24B-KRWMS-C	22.0(.866)	30.4(1.197)
26	B26B-KRWMK	S26B-KRWMS	B26B-KRWMK-C	S26B-KRWMS-C	24.0(.945)	32.4(1.276)
28	B28B-KRWMK	S28B-KRWMS	B28B-KRWMK-C	S28B-KRWMS-C	26.0(1.024)	34.4(1.354)
30	B30B-KRWMK	S30B-KRWMS	B30B-KRWMK-C	S30B-KRWMS-C	28.0(1.102)	36.4(1.433)
32	B32B-KRWMK	S32B-KRWMS	B32B-KRWMK-C	S32B-KRWMS-C	30.0(1.181)	38.4(1.512)

Material and Finish

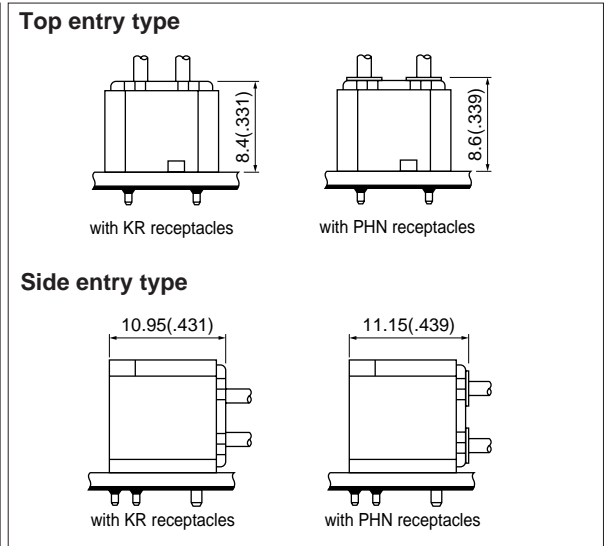
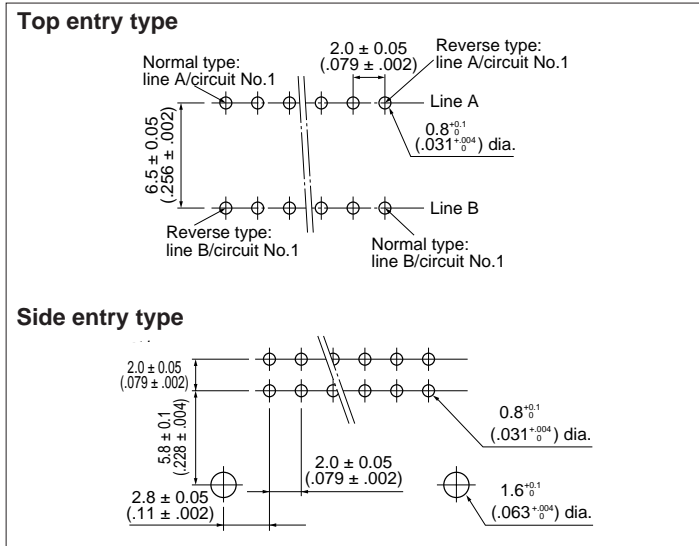
Post: Copper alloy, copper-undercoated, tin/lead-plated
Wafer: Nylon 66, UL94V-0, green

Note:

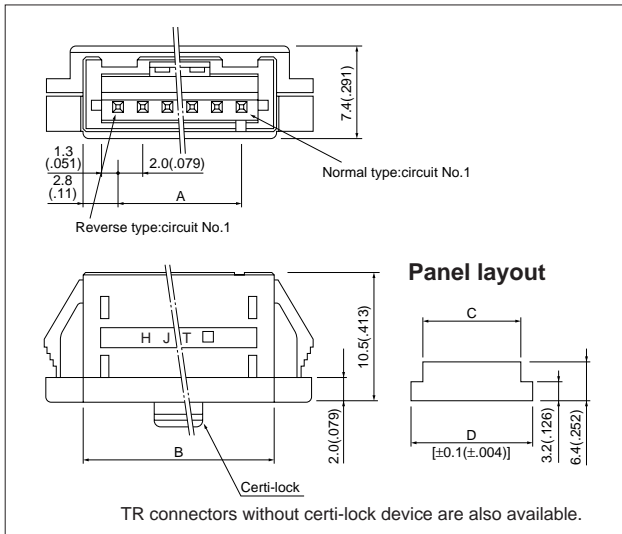
1. Top entry type headers with bosses or without kinked tails are also available.
2. The products listed above are supplied packed in tray.

KR FAMILY SERIES CONNECTOR

PC board layout (viewed from component side) — Assembly layout



TR connector (Unit for wire-to-wire connection)



Circuits	Model No.		Dimensions mm(in.)			
	Normal type	Reverse type	A	B	C	D
2	BU02P-TR-P-H	BU02P-TR-PC-H	2.0(.079)	7.6(.299)	7.9(.311)	11.6(.457)
3	BU03P-TR-P-H	BU03P-TR-PC-H	4.0(.157)	9.6(.378)	9.9(.390)	13.6(.535)
4	BU04P-TR-P-H	BU04P-TR-PC-H	6.0(.236)	11.6(.457)	11.9(.469)	15.6(.614)
5	BU05P-TR-P-H	BU05P-TR-PC-H	8.0(.315)	13.6(.535)	13.9(.547)	17.6(.693)
6	BU06P-TR-P-H	BU06P-TR-PC-H	10.0(.394)	15.6(.614)	15.9(.626)	19.6(.772)
7	BU07P-TR-P-H	BU07P-TR-PC-H	12.0(.472)	17.6(.693)	18.0(.709)	21.6(.850)
8	BU08P-TR-P-H	BU08P-TR-PC-H	14.0(.551)	19.6(.772)	20.0(.787)	23.6(.929)
9	BU09P-TR-P-H	BU09P-TR-PC-H	16.0(.630)	21.6(.850)	22.0(.866)	25.6(1.008)
10	BU10P-TR-P-H	BU10P-TR-PC-H	18.0(.709)	23.6(.929)	24.0(.945)	27.6(1.087)
11	BU11P-TR-P-H	BU11P-TR-PC-H	20.0(.787)	25.6(1.008)	26.0(1.024)	29.6(1.165)
12	BU12P-TR-P-H	BU12P-TR-PC-H	22.0(.866)	27.6(1.087)	28.0(1.102)	31.6(1.244)
13	BU13P-TR-P-H	BU13P-TR-PC-H	24.0(.945)	29.6(1.165)	30.0(1.181)	33.6(1.323)
14	BU14P-TR-P-H	BU14P-TR-PC-H	26.0(1.024)	31.6(1.244)	32.0(1.260)	35.6(1.402)
15	BU15P-TR-P-H	BU15P-TR-PC-H	28.0(1.102)	33.6(1.323)	34.0(1.339)	37.6(1.480)
16	BU16P-TR-P-H	BU16P-TR-PC-H	30.0(1.181)	35.6(1.402)	36.0(1.417)	39.6(1.559)

Material and Finish

Post: Copper alloy, copper-undercoated, tin/lead-plated
Housing: Nylon 66, UL94V-0, gray