

2478- \* - \* - \*

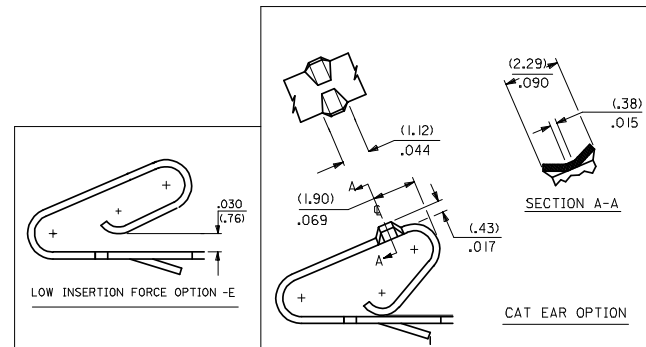
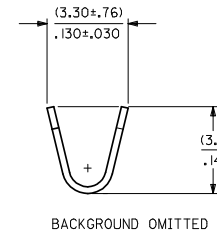
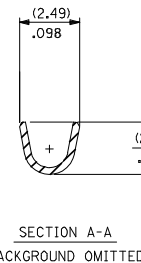
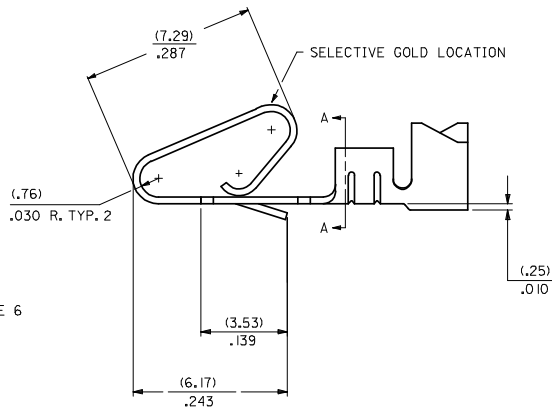
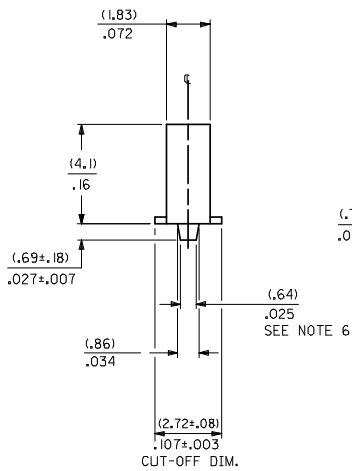
MATERIAL CODE  
(.27)/.0106 THK  
1=BRASS  
3=PHOS BRONZE

WINDING SPEC.  
A=PER ES-339-A  
BLANK=PER ES-339-B  
L=LOOSE

OPTION CODE  
BLANK=AS SHOWN  
C=CAT EAR OPTION  
D=OPTIONAL CONDUCTOR CRIMP (FOR IRELAND) (SEE OPT. SECTION A-A) WITHOUT CAT EARS  
E=LOW INSERTION FORCE OPTION

FINISH: PER SDES-88  
(P909) \*OVERALL HOT TIN DIP: 2.54 MICROMETERS MIN.  
(550) SELECT GOLD: 0.38 MICROMETERS MIN.  
OVERALL GOLD FLASH: 0.05 MICROMETERS MIN.  
OVERALL NICKEL UNDERPLATE: 0.76 MICROMETERS MIN.  
(555) SELECT GOLD: 0.38 MICROMETERS MIN.  
OVERALL NICKEL UNDERPLATE: 0.76 MICROMETERS MIN.

\*THE PRIMARY SHIPPING CARTON WILL BE LABELED "COMPLIANT TO RoHS DIRECTIVE 2002/95/EC AND ELV ANNEX II OF DIRECTIVE 2000/53/EC". CARTONS WITHOUT THIS LABEL MAY CONTAIN PRODUCT WITH TIN/LEAD PLATING.



- NOTES:
- CRIMP ACCEPTS 18 TO 24 GA. WIRE WITH (2.79)/.110 MAX. INSUL. DIA.; WHEN USED WITH 2574 CONNECTOR, (2.54)/.100 MAX. INSUL. DIA. WHEN USED WITH 2139 CONNECTOR; HOUSING 41695 IS RECOMMENDED FOR OVER (2.54)/.100 DIA. INSULATION. CRIMP ACCEPTS (3.00)/.118 MAX. INSUL. DIA. WITH SPECIAL TOOLING.
  - DIMENSIONS GIVEN ACROSS CENTERLINES ARE SYMMETRICAL ABOUT THOSE CENTERLINES WITHIN HALF THE TOTAL TOLERANCE.
  - 
  - 
  - 
  - (.86±.05)/.034±.002 IS AN OPTIONAL DESIGN.
  - THIS PART CONFORMS TO PRODUCT SPEC. 08-50.
  - CONDUCTOR CRIMP FOR 16 AWG. WIRE WITH .110 MAX. INSULATION DIA.

|   |                               |   |                      |                          |                     |                    |                           |                        |
|---|-------------------------------|---|----------------------|--------------------------|---------------------|--------------------|---------------------------|------------------------|
| CHANGE TO ME10<br>EC NO: UCP2005-0902<br>DRAWN BY: DRWADRATNOL 2004/11/16<br>CHKD BY: CHKD SAMIEC 2006/03/28<br>APPROVED BY: APPROV MARCULIS 2004/10/28 | QUALITY SYMBOLS<br>▽=0<br>▽=0 | GENERAL TOLERANCES (UNLESS SPECIFIED)   |                      | DIMENSION STYLE<br>IN/MM |                     | SCALE              | DESIGN UNITS<br>INCH      | THIRD ANGLE PROJECTION |
|   |                               | 4 PLACES ±.005 ±.005  | 3 PLACES ±.005 ±.010 | 2 PLACES ±.025 ±.014     | 1 PLACE ±.036 ±.014 | ANGULAR ±1/2°      | DRAWN BY: SAMIEC 06/03/86 | DATE: 06/03/86         |
| DRAFT WHERE APPLICABLE MUST REMAIN WITHIN DIMENSIONS  |                               | MATERIAL NO. SEE CHART  |                      | DOCUMENT NO. SD-2478     |                     | MOLEX INCORPORATED |                           |                        |
| SIZE D  |                               | THIS DRAWING CONTAINS INFORMATION THAT IS PROPRIETARY TO MOLEX INCORPORATED AND SHOULD NOT BE USED WITHOUT WRITTEN PERMISSION |                      | SHEET NO. 1 OF 2         |                     |                    |                           |                        |

| 2478-1-(****)* |                |  | 2478-3-(****)* |                |  | 2478-IC-(****)* |                 |  | 2478-3C-(****)* |                 |  | 2478-ID-(****)* |                 |  | 2478-3E-(****)* |                 |  |
|----------------|----------------|--|----------------|----------------|--|-----------------|-----------------|--|-----------------|-----------------|--|-----------------|-----------------|--|-----------------|-----------------|--|
| PART NO.       | ENG. NO.       |  | PART NO.       | ENG. NO.       |  | PART NO.        | ENG. NO.        |  | PART NO.        | ENG. NO.        |  | PART NO.        | ENG. NO.        |  | PART NO.        | ENG. NO.        |  |
| 08-50-0105     | 2478-1-(P909)  |  | 08-52-0071     | 2478-3-(P909)  |  | 08-50-0014      | 2478-IC-(P909)  |  | 08-52-0044      | 2478-3C-(P909)  |  | 08-50-0055      | 2478-ID-(P909)  |  |                 | 2478-3E-(P909)  |  |
| 08-50-0106     | 2478-1-(P909)L |  | 08-52-0072     | 2478-3-(P909)L |  | 08-50-0045      | 2478-IC-(P909)L |  | 08-52-0045      | 2478-3C-(P909)L |  | 08-50-0056      | 2478-ID-(P909)L |  |                 | 2478-3E-(P909)L |  |
| 08-56-0105     | 2478-1-(550)   |  | 08-65-0114     | 2478-3-(555)   |  | 08-50-0047      | 2478-IC-(P102)  |  | 08-52-0023      | 2478-3C-(102)   |  |                 |                 |  |                 | 2478-3E-(555)   |  |
| 08-56-0106     | 2478-1-(550)L  |  | 08-65-0115     | 2478-3-(555)L  |  | 08-50-0046      | 2478-IC-(P102)L |  | 08-52-0024      | 2478-3C-(102)L  |  |                 |                 |  |                 | 2478-3E-(555)L  |  |
| 08-55-0103     | 2478-1-(555)   |  | 08-52-0073     | 2478-3-(P102)  |  | 08-50-0091      | 2478-IC-(102)   |  | 08-52-0027      | 2478-3C-(122)   |  |                 |                 |  |                 | 2478-3E-(550)   |  |
| 08-55-0104     | 2478-1-(555)L  |  | 08-52-0074     | 2478-3-(P102)L |  | 08-50-0093      | 2478-IC-(102)L  |  | 08-52-0027      | 2478-3C-(122)L  |  |                 |                 |  |                 | 2478-3E-(550)L  |  |
| 08-50-0146     | 2478-1-(109)   |  | 08-52-0811     | 2478-3-(102)   |  |                 |                 |  | 08-52-0047      | 2478-3C-(P102)  |  |                 |                 |  |                 |                 |  |
| 08-50-0147     | 2478-1-(109)L  |  | 08-52-0812     | 2478-3-(102)L  |  |                 |                 |  | 08-52-0046      | 2478-3C-(P102)  |  |                 |                 |  |                 |                 |  |
| 08-50-0119     | 2478-1-(122)   |  | 08-50-0281     | 2478-3-(122)   |  |                 |                 |  |                 |                 |  |                 |                 |  |                 |                 |  |
| 08-50-0120     | 2478-1-(122)L  |  |                |                |  |                 |                 |  |                 |                 |  |                 |                 |  |                 |                 |  |
| 08-50-0271     | 2478-1-(P909)A |  | 08-58-0121     | 2478-3-(550)   |  |                 |                 |  |                 |                 |  |                 |                 |  |                 |                 |  |
|                | 2478-1-(507)   |  | 08-58-0122     | 2478-3-(550)L  |  |                 |                 |  |                 |                 |  |                 |                 |  |                 |                 |  |
|                | 2478-1-(507)L  |  | 08-58-0103     | 2478-3-(591)   |  |                 |                 |  |                 |                 |  |                 |                 |  |                 |                 |  |
| 08-56-0153     | 2478-1-(507)   |  | 08-58-0104     | 2478-3-(591)L  |  |                 |                 |  |                 |                 |  |                 |                 |  |                 |                 |  |
| 08-56-0154     | 2478-1-(506)   |  | 08-58-0114     | 2478-3-(558)   |  |                 |                 |  |                 |                 |  |                 |                 |  |                 |                 |  |
|                | 2478-1-(506)L  |  | 08-58-0115     | 2478-3-(558)L  |  |                 |                 |  |                 |                 |  |                 |                 |  |                 |                 |  |
| 08-50-0015     | 2478-1-(102)   |  |                |                |  |                 |                 |  |                 |                 |  |                 |                 |  |                 |                 |  |
| 08-50-0016     | 2478-1-(102)L  |  |                |                |  |                 |                 |  |                 |                 |  |                 |                 |  |                 |                 |  |
| 08-52-0114     | 2478-1-(P909)  |  |                |                |  |                 |                 |  |                 |                 |  |                 |                 |  |                 |                 |  |
| 08-52-0115     | 2478-1-(P909)L |  |                |                |  |                 |                 |  |                 |                 |  |                 |                 |  |                 |                 |  |
|                | 2478-1-(132)   |  |                |                |  |                 |                 |  |                 |                 |  |                 |                 |  |                 |                 |  |
|                | 2478-1-(132)L  |  |                |                |  |                 |                 |  |                 |                 |  |                 |                 |  |                 |                 |  |
| 08-50-0001     | 2478-1-(P224)  |  |                |                |  |                 |                 |  |                 |                 |  |                 |                 |  |                 |                 |  |
| 08-50-0006     | 2478-1-(P224)L |  |                |                |  |                 |                 |  |                 |                 |  |                 |                 |  |                 |                 |  |
| 08-50-0063     | 2478-1-(224)   |  |                |                |  |                 |                 |  |                 |                 |  |                 |                 |  |                 |                 |  |
| 08-50-0064     | 2478-1-(224)L  |  |                |                |  |                 |                 |  |                 |                 |  |                 |                 |  |                 |                 |  |
| 08-55-0133     | 2478-1-(561)   |  |                |                |  |                 |                 |  |                 |                 |  |                 |                 |  |                 |                 |  |
| 08-55-0134     | 2478-1-(561)L  |  |                |                |  |                 |                 |  |                 |                 |  |                 |                 |  |                 |                 |  |
| 08-50-0073     | 2478-1-(P102)  |  |                |                |  |                 |                 |  |                 |                 |  |                 |                 |  |                 |                 |  |
| 08-50-0074     | 2478-1-(P102)L |  |                |                |  |                 |                 |  |                 |                 |  |                 |                 |  |                 |                 |  |

|             |             |  |   |
|-------------|-------------|--|---|
| SEE SHEET I | SEE SHEET I | DIMENSIONS SHOWN ARE IN INCH<br>UNLESS OTHERWISE SPECIFIED<br>DIMENSIONS ARE IN MILLIMETERS<br>1 INCH = 25.4 MILLIMETERS<br>1 MILLIMETER = 0.03937 INCH<br>1 INCH = 25.4 MILLIMETERS<br>1 MILLIMETER = 0.03937 INCH<br>DIMENSIONS ARE IN MILLIMETERS UNLESS OTHERWISE SPECIFIED<br>DIMENSIONS ARE IN MILLIMETERS UNLESS OTHERWISE SPECIFIED  | REVISIONS: 0<br>DATE: 06/12/86<br>SHEET NO.: 2<br>TOTAL SHEETS: 2   |
| SEE SHEET I | SEE SHEET I |  | CRIMP TERMINAL<br>.156<br>18/24 AWG WIRE<br>MOLEX INCORPORATED<br>1325 LEXINGTON AVENUE<br>NEW YORK, N.Y. 10017<br>U.S.A. |
| SEE SHEET I | SEE SHEET I |  |   |
| SEE SHEET I | SEE SHEET I |  |   |
| SEE SHEET I | SEE SHEET I |  |   |
| SEE SHEET I | SEE SHEET I |  |   |
| SEE SHEET I | SEE SHEET I | DRAWN BY: SAMIEC<br>CHECKED BY: ADAMK<br>DATE: 06/12/86<br>SCALE: 1:1<br>PART NO.: SD-2478<br>TITLE: SEE CHARTS<br>FILE NO.:<br>DESIGNED BY: SAMIEC<br>CHECKED BY: ADAMK<br>DATE: 06/12/86<br>SCALE: 1:1<br>PART NO.: SD-2478<br>TITLE: SEE CHARTS<br>FILE NO.:<br>DESIGNED BY: SAMIEC<br>CHECKED BY: ADAMK<br>DATE: 06/12/86<br>SCALE: 1:1<br>PART NO.: SD-2478<br>TITLE: SEE CHARTS<br>FILE NO.: |   |