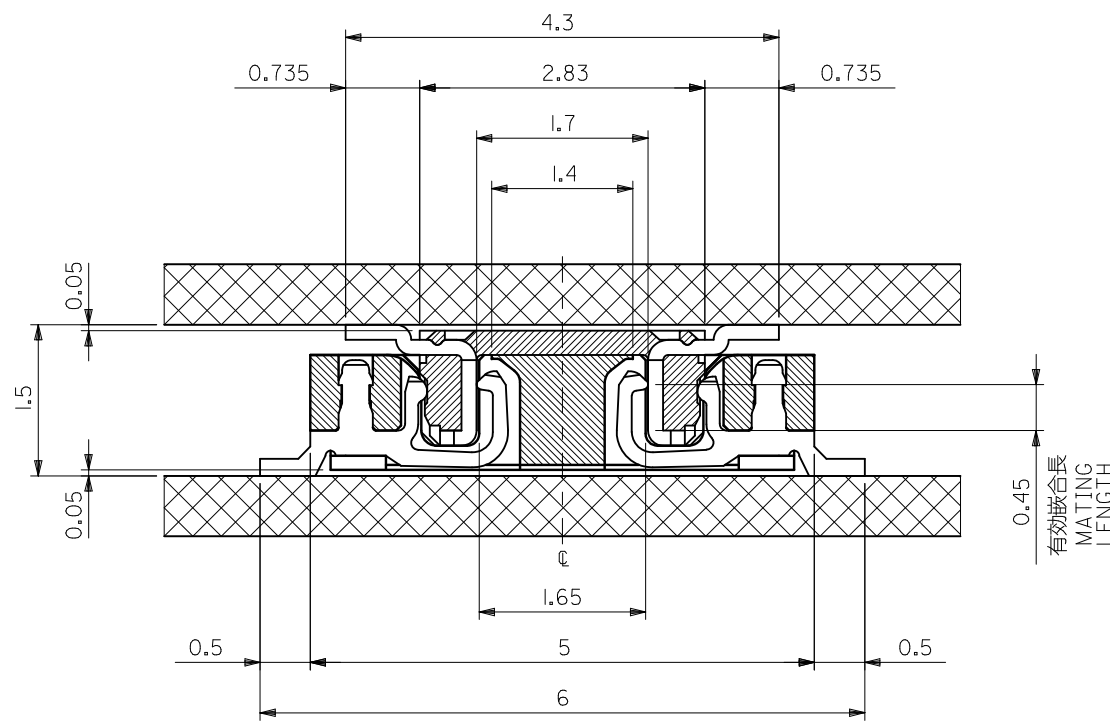


NON	20.55	19.5	21.45	55560-0801	80
10,21	15.55	14.5	16.45	▲ -0601	60
2,4,8,10,16,18,22,24	13.05	12.0	13.95	-0501	50
2,3,5,6,8,9,12,13,15,16,18,19	10.55	9.5	11.45	-0401	40
2,3,4,5,7,8,9,10,11,13,14,15,16	9.05	8.0	9.95	-0341	34
ALL	8.05	7.0	8.95	-0301	30
	6.55	5.5	7.45	-0241	24
	6.05	5.0	6.95	-0221	22
	5.55	4.5	6.45	▼ -0201	20
4.55	3.5	5.45	55560-0161	16	
LOCK POSITION	C	B	A	MATERIAL NO.	極数 CIRCUIT

DO NOT SCALE DRAWING

REVISED EC NO. J2010-1741 DRW'N: Y.ONO '10/03/01 CH'K: S.MARUYAMA APPR: S.MARUYAMA	REVISED EC NO. J2010-1529 DRW'N: Y.ONO '10/01/27 CH'K: S.MARUYAMA APPR: M.SASAO	REVISED EC NO. J2003-2517 DRW'N: S.AIHARA '03/03/31 CH'K: M.SASAO APPR: M.SASAO	REVISED EC NO. J2003-1929 DRW'N: T.YASUJI '03/11/23 CH'K: T.IITO APPR: T.IITO	REVISED EC NO. J2003-1468 DRW'N: T.YASUJI '02/11/25 CH'K: T.IITO APPR: T.YAMAGUCHI	MATERIAL 材質 注記参照 SEE NOTES
J	H	G	F	E	FINISH 仕上げ //
					WIRE RANGE 適用導線範囲 //
					INS. RANGE 被覆外径 //

GENERAL TOLERANCES: (UNLESS SPECIFIED) 一般公差	SCALE //	MODEL NO. 55560-***1	DIMENSIONS: <input type="checkbox"/> mm <input type="checkbox"/> INCH <input checked="" type="checkbox"/> mm ONLY	SHT	REV
10 UNDER 未満	±0.2	DRAWN BY & DATE S.AIHARA '00/10/5	THIRD ANGLE PROJECTION		
10 OVER 以上	±0.25	CHECKED BY & DATE M.SASAO '03/03/31	TITLE: 0.5 B-To-B Conn PLUG Assy(Hg+=1.5mm)		
30 OVER 以上	±0.3	APPROVED BY & DATE M.SASAO '03/03/31	MOLEX INCORPORATED		
ANGLE 角度	±3°	CAD FILENAME 55560006.S01	MATERIAL NO. SEE CHART	DRAWING NO. SD-55560-006	SHEET NO. 1 OF 2
		THIS DRAWING CONTAINS INFORMATION THAT IS PROPRIETARY TO MOLEX INCORPORATED AND SHOULD NOT BE USED WITHOUT WRITTEN PERMISSION.			SIZE B



嵌合断面図 (参考)
MATED DRAWING (REF.)

- 注記 NOTES:
1. 使用材料 MATERIAL
 ウェハー: 液晶ポリマー ガラス充填 ,UL94V-0(黒)
 WAFER :LIQUID CRYSTRAL POLYMER
 (GLASS FILLED), UL94V-0 (COLOR:BLACK)
 ピン :黄銅 (t=0.15)
 PIN :BRASS(t=0.15)
 2. メッキ仕様 PLATING
 金メッキ 0.25 MICROMETER MINIMUM (コンタクト部)
 GOLD 0.25 MICROMETER MINIMUM (CONTACT AREA).
 金メッキ 0.4 MICROMETER MAXIMUM (テール部)
 GOLD 0.4 MICROMETER MAXIMUM (TAIL AREA).
 下地メッキ: ニッケルメッキ 1.5 MICROMETER MINIMUM
 UNDER PLATING : NICKEL 1.5 MICROMETER MINIMUM.
 3. (全極数/2) = 偶数の場合に適用。
 APPLY FOR (CIRCUIT/2)=EVEN.
 4. 嵌合相手: 54722 シリーズ, 54037 シリーズ
 MATE WITH : 54722 SERIES, 54037 SERIES.
 テール平坦度は, 0.1 MAXIMUM
 TAIL COPLANARITY TO BE 0.1 MAXIMUM.

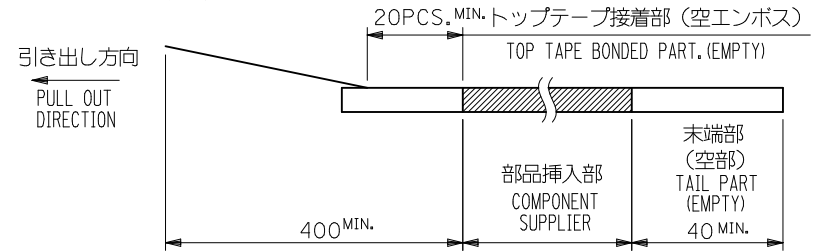
DO NOT SCALE DRAWING

REVISED EC NO. J2010-1741 DRWN: Y.ONO '10/03/01 CHK: S.MARUYAMA APPR: S.MARUYAMA		REVISED EC NO. J2010-1529 DRWN: Y.ONO '10/01/27 CHK: S.MARUYAMA APPR: M.SASAO		REVISED EC NO. J2003-2517 DRWN: S.AIHARA '03/03/31 CHK: M.SASAO APPR: M.SASAO		REVISED EC NO. J2003-1929 DRWN: T.YASUJI '03/11/23 CHK: T.IITO APPR: T.IITO		REVISED EC NO. J2003-1468 DRWN: T.YASUJI '02/11/25 CHK: T.IITO APPR: T.YAMAGUCHI		MATERIAL 材質 注記参照 SEE NOTES	GENERAL TOLERANCES: (UNLESS SPECIFIED) 一般公差	SCALE //	MODEL NO. 55560-***I	DIMENSIONS: <input type="checkbox"/> mm <input type="checkbox"/> INCH <input checked="" type="checkbox"/> mm ONLY	SHT	REV
J	H	G	F	E	FINISH 仕上げ //		10 UNDER 未満 ±0.2		DRAWN BY & DATE S.AIHARA '00/10/5		TITLE: 0.5 B-to-B Conn PLUG Assy(Hg+=1.5mm)					
WIRE RANGE 適用導線範囲 //		10 OVER 以上 ±0.25		30 UNDER 未満 ±0.3		30 OVER 以上 ±0.3		APPROVED BY & DATE M.SASAO '03/03/31		MOLEX INCORPORATED						
INS. RANGE 被覆外径 //		ANGLE 角度 ±3°		CAD FILENAME 55560006.S02		MATERIAL NO. SEE CHART		DRAWING NO. SD-55560-006		SHEET NO. 2 OF 2		SIZE B		EN-02J(097) MXJ-54		

55560006.S02

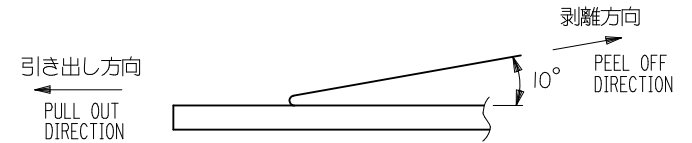
NOTES

- 製品詳細寸法については図面 SD-55560-006 を参照下さい。
RE DETAILED DIMENSION, SEE SD-55560-006
- 梱包数量：3000個/リール
NUMBER OF CONNECTORS : 3000PCS/REEL
- リードテープ長さ LEAD TAPE LENGTH



- トップテープの剥離強度：0.1N ~ 0.7N(10.2gf ~ 71.4gf)
(剥離方向は下図参照)

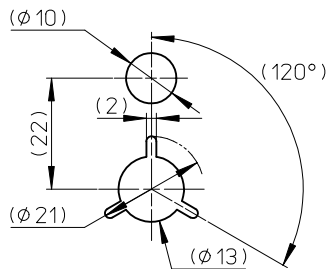
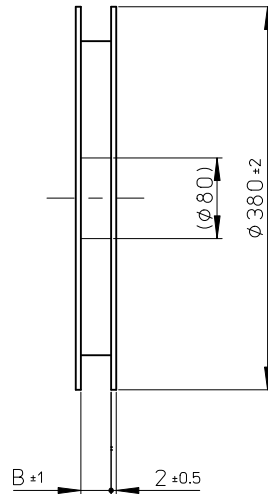
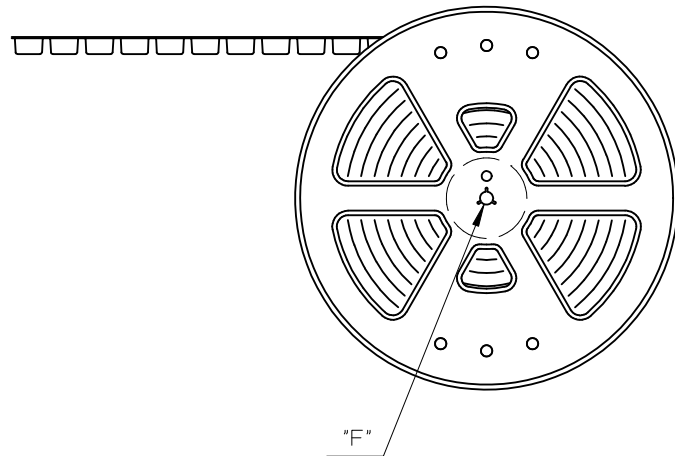
尚、本規格値は出荷時に適用。(但し、輸送時に剥離が発生しないこと。)
PEELING OFF FORCE OF TOP TAPE : 0.1N ~ 0.7N(10.2gf ~ 71.4gf)
(PEELING DIRECTION AS SHOWN IN FOLLOWING FIG,)
THIS REQUIREMENT SHOULD BE APPLIED AT SHIPMENT.
PEEL OFF SHOULD NOT BE ALLOWED , DURING TRANSPORTATION.



- 材料
キャリアテープ：ポリプロピレン (PP)
トップテープ：PET, PE, PEF
リール：ポリスチレン (PS) <リサイクル材を含む>

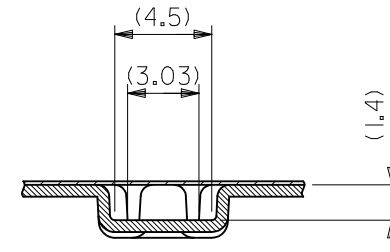
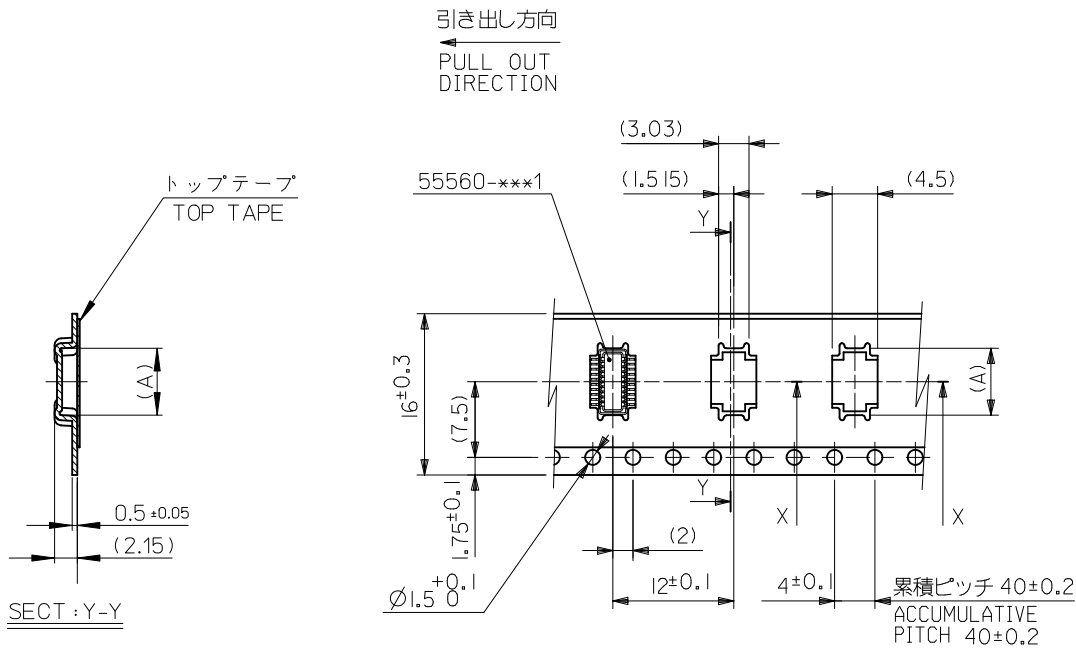
MATERIAL CARRIER TAPE: POLYPROPYLENE
TOP TAPE: PET, PE, PEF
REEL: POLYSTYRENE (PS)
<RECYCLE MATERIAL CONTAINED>

引き出し方向
PULL OUT DIRECTION



DETAIL "F"

REVISED EC NO: J2010-1529 DRWN: YONOOZ 2010/01/28 CHKD: S MARUYAMA 2010/02/01 APPR: MSASAO 2010/02/01	DESCRIPTION REV	GENERAL TOLERANCES (UNLESS SPECIFIED)		DIMENSION STYLE MM ONLY		SCALE ---	DESIGN UNITS METRIC	THIRD ANGLE PROJECTION	
		10 UNDER	±0.2	DRAWN BY S. AIHARA	DATE '00/10/06	TITLE 0.5 B-T-O-B PLUG ASSY (HGT=1.5) EMBSTP PKG (SHEET 1 OF 5)			
		10 OVER 30 UNDER	±0.25	CHECKED BY M. SASAO	DATE '03/03/31	MOLEX INCORPORATED			
		30 OVER	±0.3	APPROVED BY M. SASAO	DATE '03/03/31	SEE CHART		SD-55560-007	
ANGULAR ±3 °		DRAFT WHERE APPLICABLE MUST REMAIN WITHIN DIMENSIONS		MATERIAL NO. SIZE A3		DOCUMENT NO. SHEET NO.		1 OF 5	

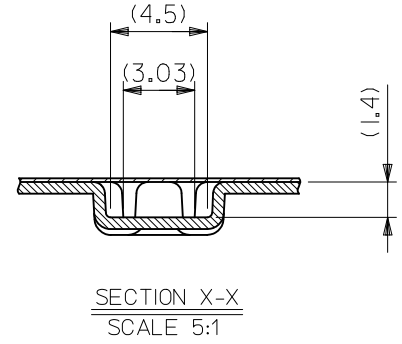
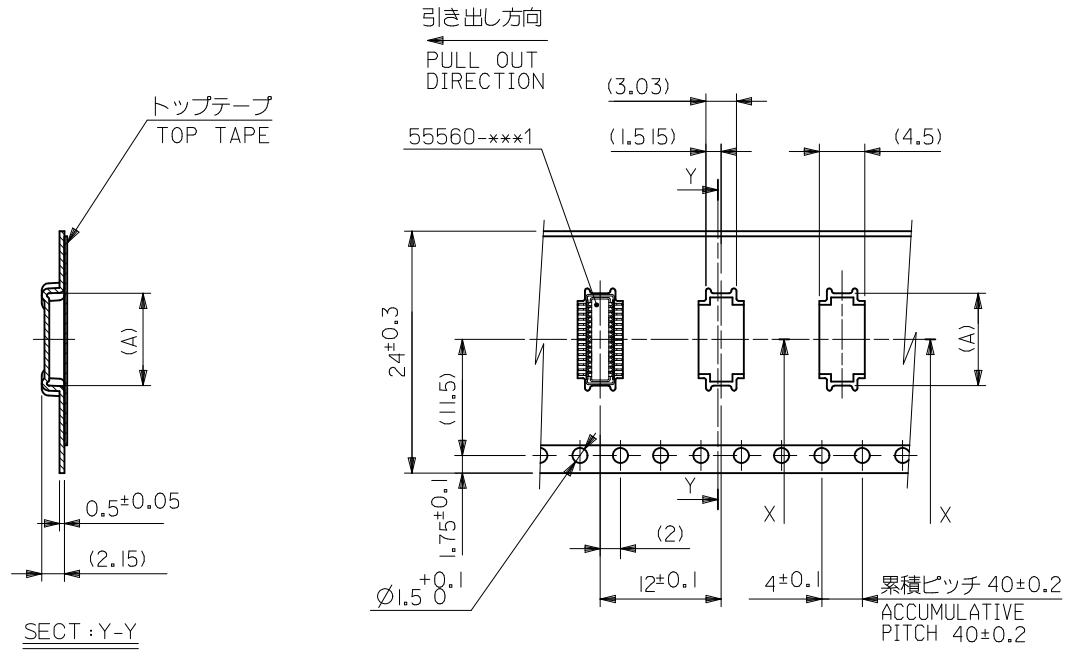


SECTION X-X
SCALE 5:1

16mm幅キャリアテープ
16mm WIDTH CARRIER TAPE

16	17.5	6.65	55560-0207	55560-***7	20
キャリアテープ幅 CARRIER TAPE WIDTH	B	(A)	MATERIAL No.	MODEL No.	極数 CIRCUIT

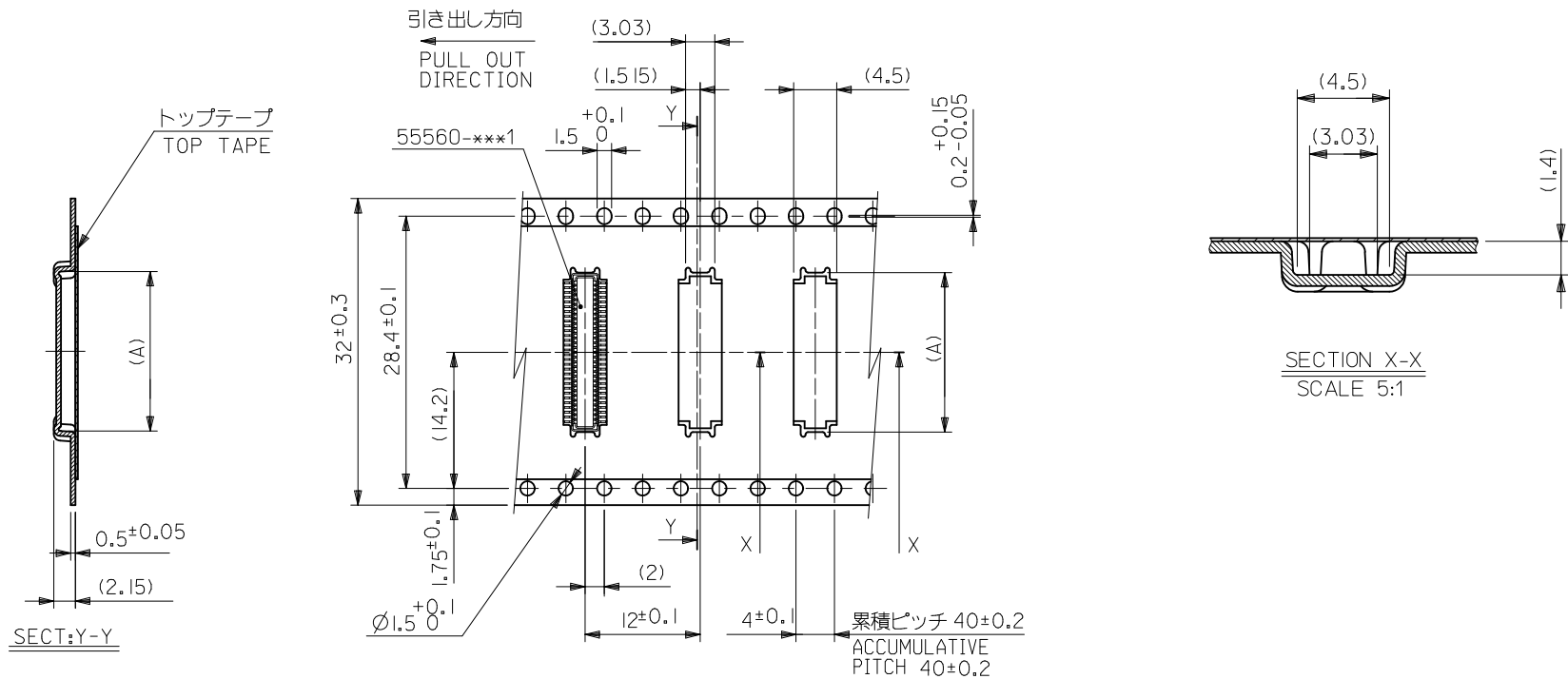
REVISED EC NO: J2010-1529 DRWN: YON002 CH'KD: SMARUYAMA APPR: MSASAO	2010/01/28 2010/02/01 2010/02/01	GENERAL TOLERANCES (UNLESS SPECIFIED)		DIMENSION STYLE	SCALE	DESIGN UNITS	THIRD ANGLE PROJECTION	
		10 UNDER ±0.2		MM ONLY	---	METRIC	☉	
		10 OVER 30 UNDER ±0.25		DRAWN BY	DATE	TITLE		
		30 OVER ±0.3		S. AIHARA	'00/10/06	0.5 B-T0-B PLUG ASSY (HGT=1.5) EMBSTP PKG (SHEET 2 OF 5)		
ANGULAR ±3 °		CHECKED BY	DATE	MOLEX INCORPORATED			SHEET NO. 2 OF 5	
DRAFT WHERE APPLICABLE MUST REMAIN WITHIN DIMENSIONS		M. SASAO	'03/03/31	DOCUMENT NO. SD-55560-007				
J	REV	SEE CHART		THIS DRAWING CONTAINS INFORMATION THAT IS PROPRIETARY TO MOLEX INCORPORATED AND SHOULD NOT BE USED WITHOUT WRITTEN PERMISSION				



24mm幅キャリアテープ
24mm WIDTH CARRIER TAPE

24	25.5	14.15	55560-0507	55560-***7	50
		11.65	55560-0407		40
		10.15	55560-0347		34
		9.15	55560-0307		30
		7.65	55560-0247		24
		7.15	55560-0227		22
キャリアテープ幅 CARRIER TAPE WIDTH	B	(A)	MATERIAL No.	MODEL No.	極数 CIRCUIT

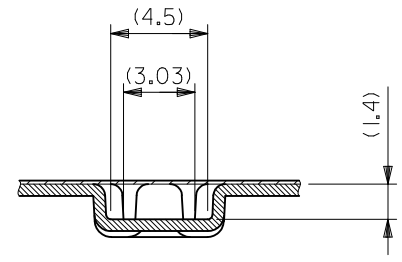
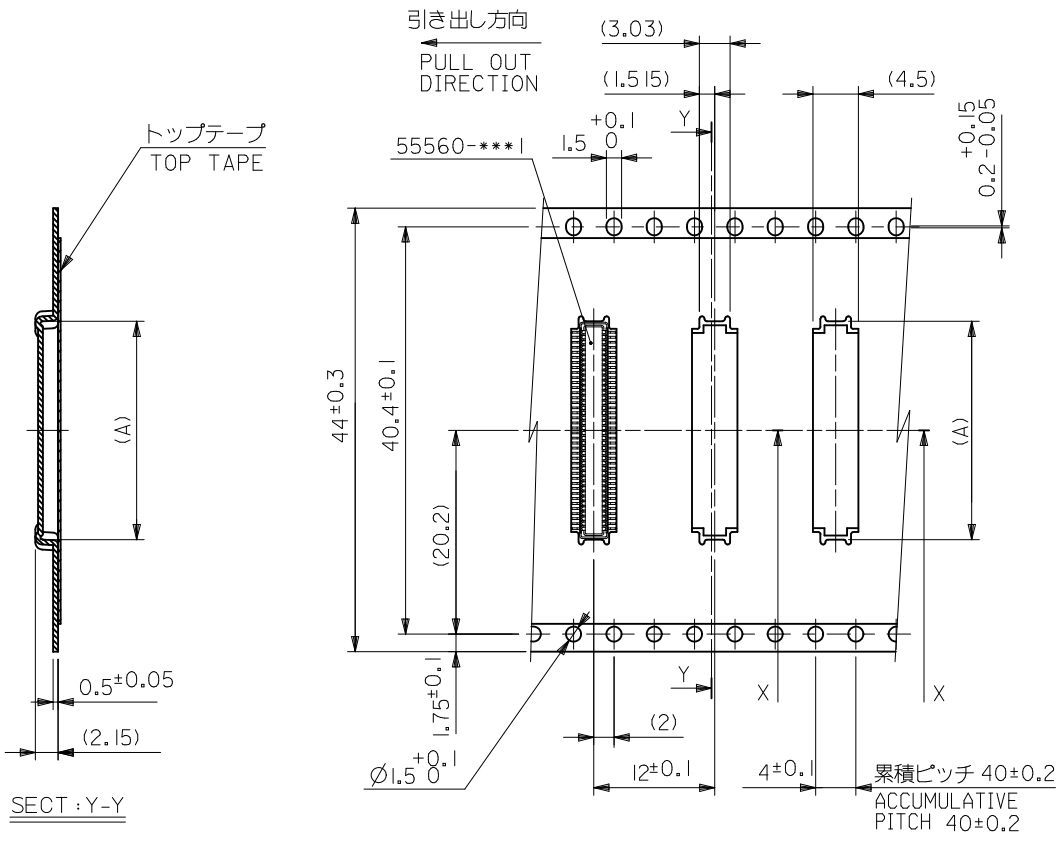
REVISED EC NO: J2010-1529 DRWN: YON002 CHKD: SMARUYAMA APPR: MSASAO 2010/01/28 2010/02/01 2010/02/02	GENERAL TOLERANCES (UNLESS SPECIFIED)		DIMENSION STYLE MM ONLY		SCALE ---	DESIGN UNITS METRIC	THIRD ANGLE PROJECTION
	10 UNDER	±0.2	DRAWN BY S. AIHARA	DATE '00/10/06	TITLE 0.5 B-T0-B PLUG ASSY (HGT=1.5) EMBSTP PKG (SHEET 3 OF 5)		
	10 OVER 30 UNDER	±0.25	CHECKED BY M. SASAO	DATE '03/03/31	MOLEX INCORPORATED		
	30 OVER	±0.3	APPROVED BY M. SASAO	DATE '03/03/31	MATERIAL NO. SEE TABLE	DOCUMENT NO. SD-55560-007	SHEET NO. 3 OF 5
J	REVISION	DESCRIPTION	THIS DRAWING CONTAINS INFORMATION THAT IS PROPRIETARY TO MOLEX INCORPORATED AND SHOULD NOT BE USED WITHOUT WRITTEN PERMISSION				



32mm幅キャリアテープ
32mm WIDTH CARRIER TAPE

32	33.5	16.65	55560-0607	55560-***7	60
キャリアテープ幅 CARRIER TAPE WIDTH	B	(A)	MATERIAL No.	MODEL No.	極数 CIRCUIT

REVISED EC NO: J2010-1529 DRWN: YON002 2010/01/28 CHKD: SMARUYAMA 2010/02/01 APPR: MSASAO 2010/02/02	GENERAL TOLERANCES (UNLESS SPECIFIED)		DIMENSION STYLE MM ONLY		SCALE ---	DESIGN UNITS METRIC	THIRD ANGLE PROJECTION
	10 UNDER	±0.2	DRAWN BY T. YASUI	DATE '02/03/06	TITLE 0.5 B-T0-B PLUG ASSY (HGT=1.5) EMBSTP PKG (SHEET 4 OF 5)		
	10 OVER 30 UNDER	±0.25	CHECKED BY M. SASAO	DATE '03/03/31	MOLEX INCORPORATED		
	30 OVER	±0.3	APPROVED BY M. SASAO	DATE '03/03/31	MATERIAL NO. SEE CHART	DOCUMENT NO. SD-55560-007	SHEET NO. 4 OF 5
	ANGULAR ±3 °	DRAFT WHERE APPLICABLE MUST REMAIN WITHIN DIMENSIONS		THIS DRAWING CONTAINS INFORMATION THAT IS PROPRIETARY TO MOLEX INCORPORATED AND SHOULD NOT BE USED WITHOUT WRITTEN PERMISSION			



SECTION X-X
SCALE 5:1

SECT: Y-Y

44mm幅キャリアテープ
44mm WIDTH CARRIER TAPE

44	45.5	21.65	55560-0807	55560-***7	80
キャリアテープ幅 CARRIER TAPE WIDTH	B	(A)	MATERIAL No.	MODEL No.	極数 CIRCUIT

REVISED EC NO: J2010-1529 DRWN: YON002 2010/01/28 CHKD: SMARUYAMA 2010/02/01 APPR: MSASAO 2010/02/01 J REV	GENERAL TOLERANCES (UNLESS SPECIFIED)		DIMENSION STYLE MM ONLY		SCALE ---	DESIGN UNITS METRIC	THIRD ANGLE PROJECTION
	10 UNDER	±0.2	DRAWN BY S. AIHARA	DATE '00/10/06	TITLE 0.5 B-T0-B PLUG ASSY (HGT=1.5) EMBSTP PKG (SHEET 5 OF 5)		
	10 OVER 30 UNDER	±0.25	CHECKED BY M. SASAO	DATE '03/03/31	MOLEX INCORPORATED		
	30 OVER	±0.3	APPROVED BY M. SASAO	DATE '03/03/31	MATERIAL NO. SEE CHART	DOCUMENT NO. SD-55560-007	SHEET NO. 5 OF 5
ANGULAR ±3 °		DRAFT WHERE APPLICABLE MUST REMAIN WITHIN DIMENSIONS		THIS DRAWING CONTAINS INFORMATION THAT IS PROPRIETARY TO MOLEX INCORPORATED AND SHOULD NOT BE USED WITHOUT WRITTEN PERMISSION			