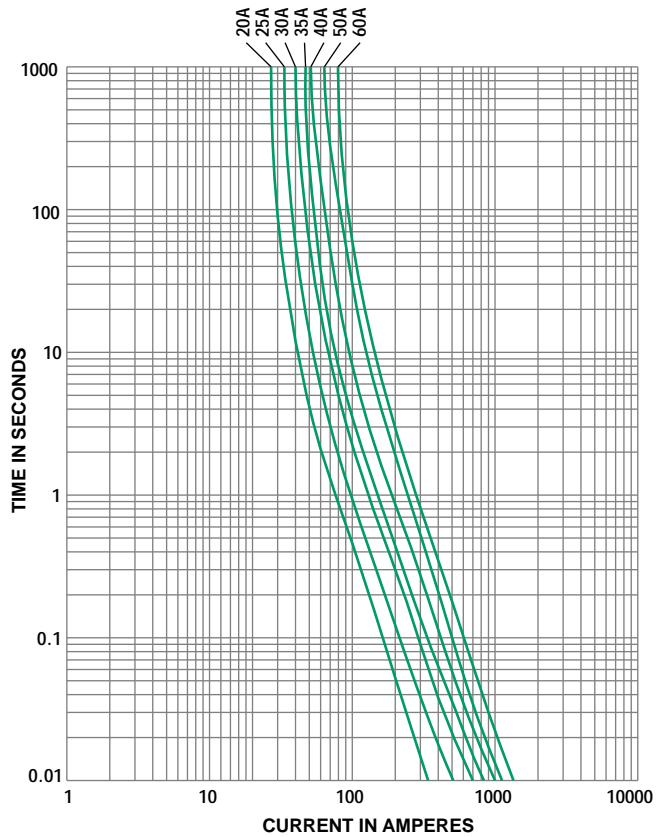
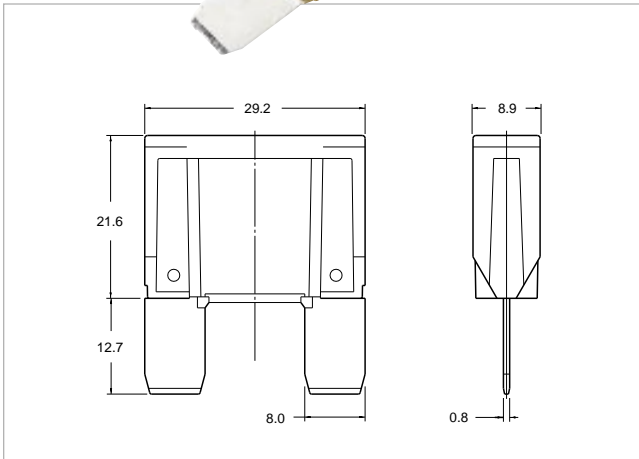


MAXI™ Blade Fuse

With "Diffusion Pill Technology," the MAXI™ Fuse provides excellent time delay characteristics and low heat dissipation. Designed and patented by Littelfuse, the MAXI Fuse is ideal for motor powered applications which have large inrush currents.



TIME-CURRENT CHARACTERISTICS

% of Rating	Opening Time Max/Min (s)									
	20A	25A	30A	35A	40A	50A	60A	70A	80A	
135	1800	1800	1800	1800	1800	1800	1800	3600	3600	
	60	60	60	60	60	60	60	60	60	
200	20	30	30	40	40	50	60	60	60	
	4	4	6	6	8	10	15	4	4	
350	2	4	4	5	5	6	7	2	2	
	0.7	0.7	1	1	1.4	1.7	2	0.2	0.2	
600	1	1	1	1	1	1	1	0.15	0.15	
	0.15	0.15	0.20	0.20	0.20	0.20	0.20	0.04	0.04	

Interrupting Rating: 1000A @ 32 VDC
Voltage Rating: 32 VDC
Ambient Temp.: -40°C to +125°C

Meets SAE J1888

MAXI™ FUSE TABLE

BPCS Part Number	Current Rating (A)	Housing Color	Nom. Cold Resistance (mΩ)	Typ. Voltage Drop at Rated Current (mV)
299020	20	yellow	3.1	76
299025	25	gray	2.4	75
299030	30	green	2.0	77
299035	35	brown	1.7	75
299040	40	orange	1.4	75
299050	50	red	1.1	73
299060	60	blue	0.9	77
299070	70	tan	0.7	73
299080	80	natural	0.6	79

MAXI Fuse Temperature Rerating Curve

