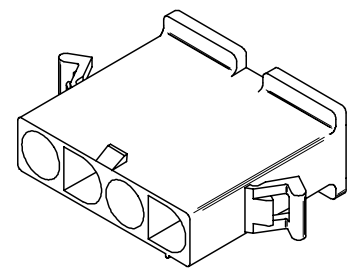
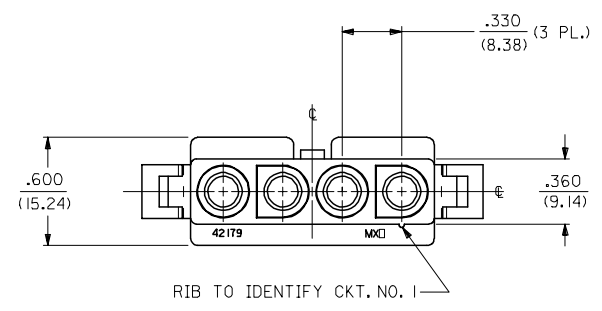
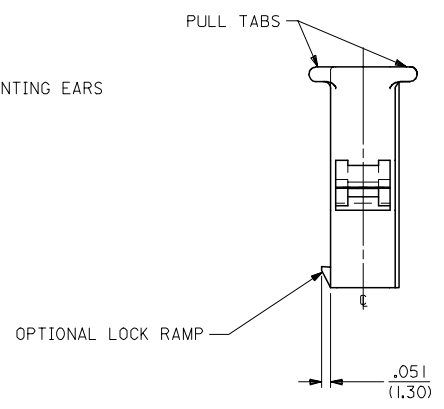
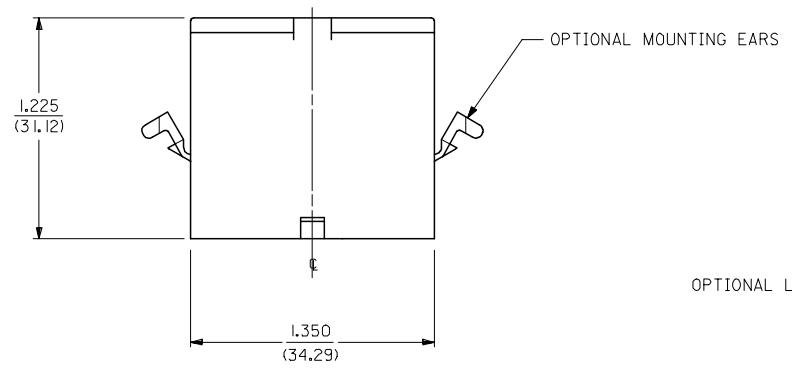
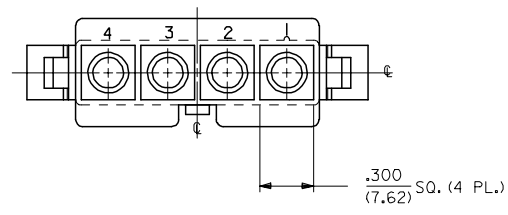


13 12 11 10 9 8 7 6 5 4 3 2 1

J  
I  
H  
G  
F  
E  
D  
C  
B  
A



PLUG

UPDATE TITLE BLOCK EC NO. UCP2007-2085 DRAWN/PRD/DER 2007/04/13 CHK'D: AEL/HAG 2007/04/16 APPR: FSM/TH 2007/04/19 REV DESCRIPTION	QUALITY SYMBOLS	GENERAL TOLERANCES (UNLESS SPECIFIED)		DIMENSION STYLE IN/MM		SCALE 2:1	DESIGN UNITS INCH	THIRD ANGLE PROJECTION
	▽=0 ▽=0	mm	INCH	DRAWN BY	DATE	TITLE		
		4 PLACES ± .007	± .007	GEP	1988/09/21	.125/(3.17) HOUSINGS, PLUG AND RECEPTACLE, 4 CKT .330/(8.38) CTRS.		
		3 PLACES ± .010	± .010	RW	1988/09/21	MOLEX MOLEX INCORPORATED		
	2 PLACES ± 0.18	± .010	RAS	1988/09/21	DOCUMENT NO. SD-42179-4*			
	1 PLACE ± 0.25	± .010	MATERIAL NO.		SHEET NO. 2 OF 3			
DRAFT WHERE APPLICABLE MUST REMAIN WITHIN DIMENSIONS		ANGULAR ±1/2°		SEE CHART				
THIS DRAWING CONTAINS INFORMATION THAT IS PROPRIETARY TO MOLEX INCORPORATED AND SHOULD NOT BE USED WITHOUT WRITTEN PERMISSION								

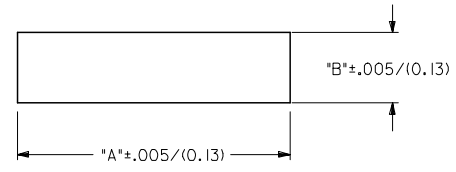
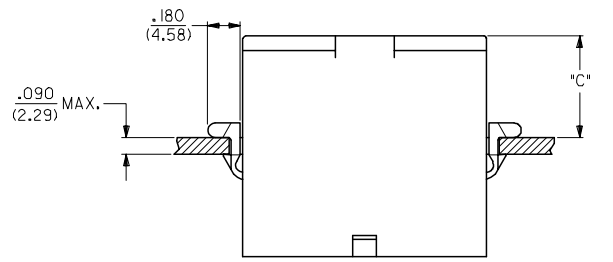
12 11 10 9 8 7 6 5 4 3 2 1

PLUG		
PART NO.	ENG. NO.	
03-12-2046	42179-4P1	
03-12-2045	42179-4P	
03-12-7042	42179-4PYW	
03-12-7043	42179-4PIYW	
03-12-7040	42179-4PBK	
03-12-7041	42179-4P1BK	
03-12-7044	42179-4PIRD	OBSOLETE
03-12-7045	42179-4P2	

RECEPTACLE	
PART NO.	ENG. NO.
03-12-1046	42179-4R1
03-12-6040	42179-4R1BK
03-12-6041	42179-4R1YW

**LEGEND:**  
42179-4\*\*\*

CIRCUIT SIZE: \_\_\_\_\_  
HOUSING TYPE: \_\_\_\_\_  
P = PLUG  
R = RECEPTACLE  
FEATURE OPTIONS: \_\_\_\_\_  
BLANK = WITH MOUNTING EARS (PLUG ONLY)  
1 = WITHOUT MOUNTING EARS  
2 = WITH MOUNTING EARS (PLUG ONLY);  
WITHOUT LOCKING RAMP  
COLOR: \_\_\_\_\_  
BLANK = 94V-2; TRANSLUCENT NATURAL COLOR  
AM=AMBER BK=BLACK BU=BLUE  
BN=BROWN GY=GRAY GN=GREEN  
OR=ORANGE RD=RED YW=YELLOW



HOUSING	DIM. "A"	DIM. "B"	DIM. "C"
PLUG	1.511/(38.38)	.440/(11.18)	.57/(14.5)

- NOTES:
1. MATERIAL: NYLON (PA), UL94V-2, COLOR-NATURAL (TRANSLUCENT)
  2. FINISH: NONE
  3. PRODUCT SPECIFICATION: NONE
  4. PACKAGING SPECIFICATION: PK-42179-001
  5. PART ACCEPTS A MAXIMUM .250/(6.35) INSULATION DIAMETER WIRE.
  6. FOR USE WITH ALL MOLEX .125/(3.17) DIAMETER SERIES TERMINALS EXCEPT THE 1219/1220 SERIES.
  7. PARTS CONFORM TO CLASS B REQUIREMENT OF COSMETIC SPECIFICATION PS-45499-002

OBS. P/N 03-12-7044 EC NO. UCP2007-2085 DRAWN/PRD DR 2007/04/13 CHKD: AEL/HAG 2007/04/16 APPR: FSM/TH 2007/04/19 REV DESCRIPTION	QUALITY SYMBOLS	GENERAL TOLERANCES (UNLESS SPECIFIED)	DIMENSION STYLE	SCALE	DESIGN UNITS	THIRD ANGLE PROJECTION
	=0 =0	mm INCH 4 PLACES ± --- ± --- 3 PLACES ± --- ± .007 2 PLACES ± 0.18 ± .010 1 PLACE ± 0.25 ± --- ANGULAR ± 1 °	IN/MM	2:1	INCH	□ THIRD ANGLE PROJECTION
		DRAFT WHERE APPLICABLE MUST REMAIN WITHIN DIMENSIONS	DRAWN BY DATE GEP 1988/09/21 CHECKED BY DATE RW 1988/09/21 APPROVED BY DATE RAS 1988/09/21 MATERIAL NO. DOCUMENT NO.	TITLE .125/(3.17) HOUSING, PLUG AND RECEPTACLE, 4 CKT .330/(8.38) CTRS.		
		SEE CHART	MOLEX INCORPORATED SD-42179-4* SHEET NO. 3 OF 3			